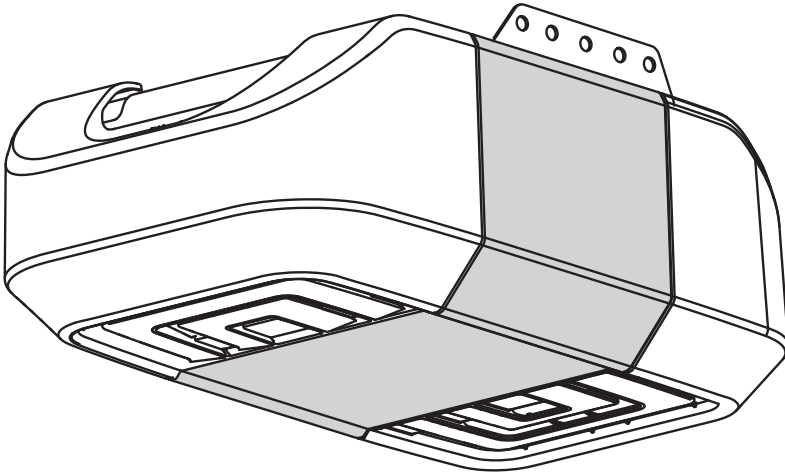


LiftMaster®

USER'S GUIDE

FOR RESIDENTIAL USE ONLY



PREMIUM Series Wi-Fi® Garage Door Opener MODELS 8355W • 8360W

- Please read this guide and the enclosed safety materials carefully!
- The door **WILL NOT CLOSE** unless the Protector System® is connected and properly aligned.
- Periodic checks of the garage door opener are required to ensure safe operation.
- This garage door opener is **ONLY** compatible with MyQ® and Security+ 2.0® accessories.
- **DO NOT** install on a one-piece door if using devices or features providing unattended close. Unattended devices and features are to be used **ONLY** with sectional doors.
- Attach warning labels to the location indicated on label.

Register your garage door opener to receive updates and offers from LiftMaster



1 Take a photo of the camera icon including the points (⊙).

2 Send it in by texting the photo to 71403 (US) or visit www.liftmaster.photo (Global)



LiftMaster.com

LiftMaster
845 Larch Avenue
Elmhurst, Illinois 60126-1196

Contents

Important Safety Instructions	3-4
Connect With Your Smartphone	5-6
Test the Wi-Fi® Signal Strength	5
Connect Your Garage Door Opener to Your Home Wi-Fi Network	6
Programming	7
Remote Control	7
Wireless Keyless Entry	7
To Erase the Memory	7
Operation	8-10
To Open the Door Manually	8
Door Control	9
The Protector System® (Safety Reversing Sensors)	10
Adjustment	11-13
Introduction	11
Program the Travel	12
Test the Safety Reversal System	13
Test the Protector System®	13
Maintenance	14
Troubleshooting	14
Repair Parts	15
Warranty	16

Safety Symbol and Signal Word Review

This garage door opener has been designed and tested to offer safe service provided it is installed, operated, maintained and tested in strict accordance with the instructions and warnings contained in this manual.

When you see these Safety Symbols and Signal Words on the following pages, they will alert you to the possibility of **serious injury or death** if you do not comply with the warnings that accompany them. The hazard may come from something mechanical or from electric shock. Read the warnings carefully.

 **WARNING**

Mechanical

 **WARNING**

Electrical

When you see this Signal Word on the following pages, it will alert you to the possibility of damage to your garage door and/or the garage door opener if you do not comply with the cautionary statements that accompany it. Read them carefully.

CAUTION

Unattended Operation

The Timer-to-Close (TTC) feature, the MyQ® Smartphone Control app, and MyQ® Garage Door and Gate Monitor are examples of unattended close and are to be used **ONLY** with sectional doors. Any device or feature that allows the door to close without being in the line of sight of the door is considered unattended close. The Timer-to-Close (TTC) feature, the MyQ® Smartphone Control, and any other MyQ® devices are to be used **ONLY** with sectional doors.

myQ® Serial Number:

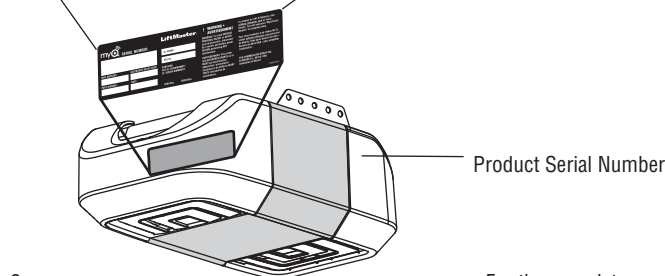
Write down the following information for future reference:

MyQ® Serial Number:

Accessory Setup Code:

Product S/N:

Date of Purchase:



IMPORTANT INSTALLATION INSTRUCTIONS

WARNING

To reduce the risk of **SEVERE INJURY** or **DEATH**:

1. READ AND FOLLOW ALL WARNINGS AND INSTRUCTIONS.
2. Install garage door opener ONLY on properly balanced and lubricated garage door. An improperly balanced door may NOT reverse when required and could result in SEVERE INJURY or DEATH.
3. ALL repairs to cables, spring assemblies and other hardware MUST be made by a trained door systems technician BEFORE installing opener.
4. Disable ALL locks and remove ALL ropes connected to garage door BEFORE installing opener to avoid entanglement.
5. Install garage door opener 7 feet (2.13 m) or more above floor.
6. Mount the emergency release within reach, but at least 6 feet (1.83 m) above the floor and avoiding contact with vehicles to avoid accidental release.
7. NEVER connect garage door opener to power source until instructed to do so.
8. NEVER wear watches, rings or loose clothing while installing or servicing opener. They could be caught in garage door or opener mechanisms.
9. Install wall-mounted garage door control:
 - within sight of the garage door.
 - out of reach of children at minimum height of 5 feet (1.5 m).
 - away from ALL moving parts of the door.
10. Place entrapment warning label on wall next to garage door control.
11. Place manual release/safety reverse test label in plain view on inside of garage door.
12. Upon completion of installation, test safety reversal system. Door MUST reverse on contact with a 1-1/2" (3.8 cm) high object (or a 2x4 laid flat) on the floor.
13. To avoid SERIOUS PERSONAL INJURY or DEATH from electrocution, disconnect ALL electric and battery power BEFORE performing ANY service or maintenance.
14. DO NOT install on a one-piece door if using devices or features providing unattended close. Unattended devices and features are to be used ONLY with sectional doors.
15. **SAVE THESE INSTRUCTIONS.**

IMPORTANT SAFETY INSTRUCTIONS



To reduce the risk of SEVERE INJURY or DEATH:

1. READ AND FOLLOW ALL WARNINGS AND INSTRUCTIONS.
2. ALWAYS keep remote controls out of reach of children. NEVER permit children to operate or play with garage door control push buttons or remote controls.
3. ONLY activate garage door when it can be seen clearly, it is properly adjusted, and there are no obstructions to door travel.
4. ALWAYS keep garage door in sight and away from people and objects until completely closed. NO ONE SHOULD CROSS THE PATH OF THE MOVING DOOR.
5. NO ONE SHOULD GO UNDER A STOPPED, PARTIALLY OPENED DOOR.
6. If possible, use emergency release handle to disengage trolley ONLY when garage door is CLOSED. Use caution when using this release with the door open. Weak or broken springs or unbalanced door could result in an open door falling rapidly and/or unexpectedly and increasing the risk of SEVERE INJURY or DEATH.
7. NEVER use emergency release handle unless garage doorway is clear of persons and obstructions.
8. NEVER use emergency release handle to pull garage door open or closed. If rope knot becomes untied, you could fall.
9. After ANY adjustments are made, the safety reversal system MUST be tested.
10. Safety reversal system MUST be tested every month. Garage door MUST reverse on contact with 1-1/2" high (3.8 cm) object (or a 2x4 laid flat) on the floor. Failure to adjust the garage door opener properly increases the risk of SEVERE INJURY or DEATH.
11. ALWAYS KEEP GARAGE DOOR PROPERLY BALANCED. An improperly balanced door may NOT reverse when required and could result in SEVERE INJURY or DEATH.
12. ALL repairs to cables, spring assemblies and other hardware, ALL of which are under EXTREME tension, MUST be made by a trained door systems technician.
13. ALWAYS disconnect electric power to garage door opener BEFORE making ANY repairs or removing covers.
14. This operator system is equipped with an unattended operation feature. The door could move unexpectedly. NO ONE SHOULD CROSS THE PATH OF THE MOVING DOOR.
15. DO NOT install on a one-piece door if using devices or features providing unattended close. Unattended devices and features are to be used ONLY with sectional doors.
16. **SAVE THESE INSTRUCTIONS.**

Connect With Your Smartphone

Before You Begin

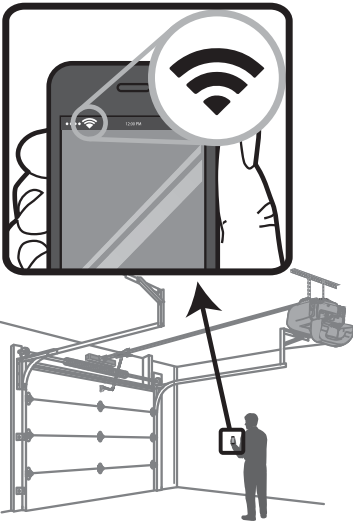
You will need:

- Wi-Fi® enabled smartphone, tablet or laptop
- Broadband Internet Connection
- Wi-Fi signal in the garage (**2.4Ghz required**)
- Password for your home network (router's main account, not guest network)



Test the Wi-Fi Signal Strength

Make sure your mobile device is connected to your Wi-Fi network. Hold your mobile device in the place where your garage door opener is installed and check the Wi-Fi signal strength.



Check Signal Strength. If you see:



Wi-Fi signal is strong.

The garage door opener will connect to your Wi-Fi network.



Wi-Fi signal is weak.

The garage door opener may connect to your Wi-Fi network. If not, try one of the options below to improve the Wi-Fi signal.



No Wi-Fi signal.

The garage door opener will not be able to connect to your Wi-Fi network. Try one of the options below to improve the Wi-Fi signal:

- Move your router closer to the garage door opener to minimize interference from walls and other objects
- Buy a Wi-Fi range extender

For compatible router specifications and help, visit WiFiHelp.LiftMaster.com.

Proceed to page 6.

Connect With Your Smartphone

Connect Your Garage Door Opener to Your Home Wi-Fi® Network

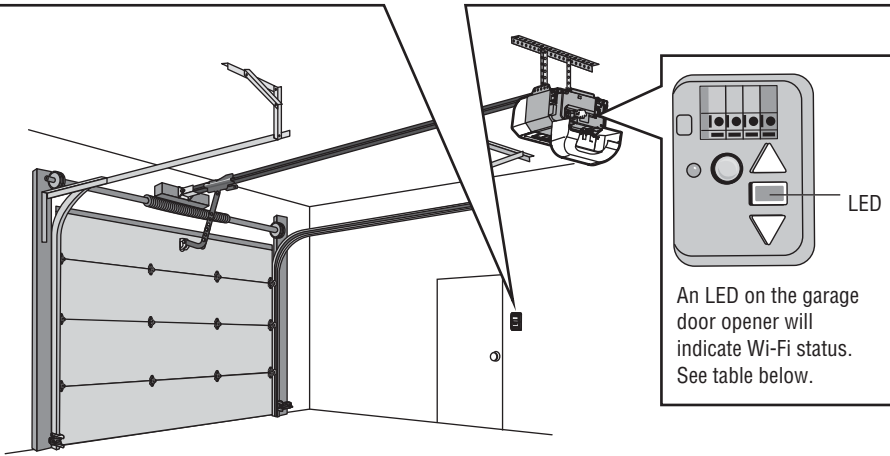
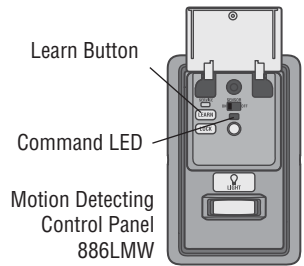
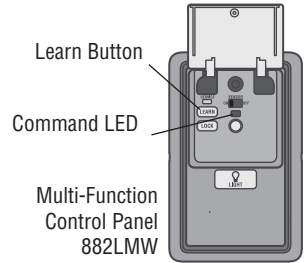
Get connected and control your garage door opener with the MyQ® App.

1. Lift the push bar on the door control. Press and release the LEARN button. The garage door opener will beep once and the command LED on the door control will blink to indicate Wi-Fi learn mode. You have 20 minutes to complete the connection process.
2. On your mobile device, go to Settings > Wi-Fi and select the network with the “MyQ-” prefix.
3. Launch the web browser on your smartphone or tablet. Enter **setup.myqdevice.com** into the browser address bar. Follow the on screen prompts to connect the garage door opener to your Wi-Fi network. The MyQ serial number will display on screen. Write the serial number in the space below.

4. Download the MyQ app from the App Store® or Google Play™ store. Sign up for your MyQ account and add the MyQ serial number to your account.

To add a second Wi-Fi garage door opener, repeat steps 1-3. Add the second MyQ serial number to your account in the MyQ app.

If you are unsuccessful adding your device, try an alternate web browser or visit WiFiHelp.LiftMaster.com.



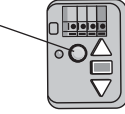
LED	Definition
Blue	Off - Wi-Fi is not turned on. Blinking - Garage door opener is in Wi-Fi learn mode. Solid - Mobile device connected to the garage door opener.
Blue and Green	Blinking - Attempting to connect to router.
Green	Blinking - Attempting to connect to the Internet server. Solid - Wi-Fi has been set up and garage door opener is connected to the internet.

Programming

Remote Control

Below are the steps to program a new or existing remote control. Test remote control before reprogramming.

1. Press and release the LEARN Button on the garage door opener.
2. Press and hold the button on the remote control that you wish to use. Release the button when the garage door opener lights blink or two clicks are heard.



OR

1. Press the LEARN button on the door control to enter Programming Mode.
2. Press the LEARN button again, the LED will flash once.
3. Press the button on the remote control that you wish to operate your garage door.



If your vehicle is equipped with a Homelink®, you may require an external adapter depending on the make, model, and year of your vehicle. Visit www.homelink.com for additional information.

Wireless Keyless Entry

Refer to the instructions provided with your keyless entry OR go to LiftMaster.com to download instructions.

To Erase the Memory

Erase ALL Remote Controls and Keyless Entries

Press and hold the LEARN button until the LED goes out (approximately 6 seconds). All remote controls and keyless entries are now erased.

LEARN Button



Erase ALL Devices (Including MyQ® enabled accessories)

1. Press and hold the LEARN button until the LED goes out (approximately 6 seconds).
2. Immediately press and hold the LEARN button until the LED goes out. All codes are now erased.

Erase the Wi-Fi Network from the Garage Door Opener

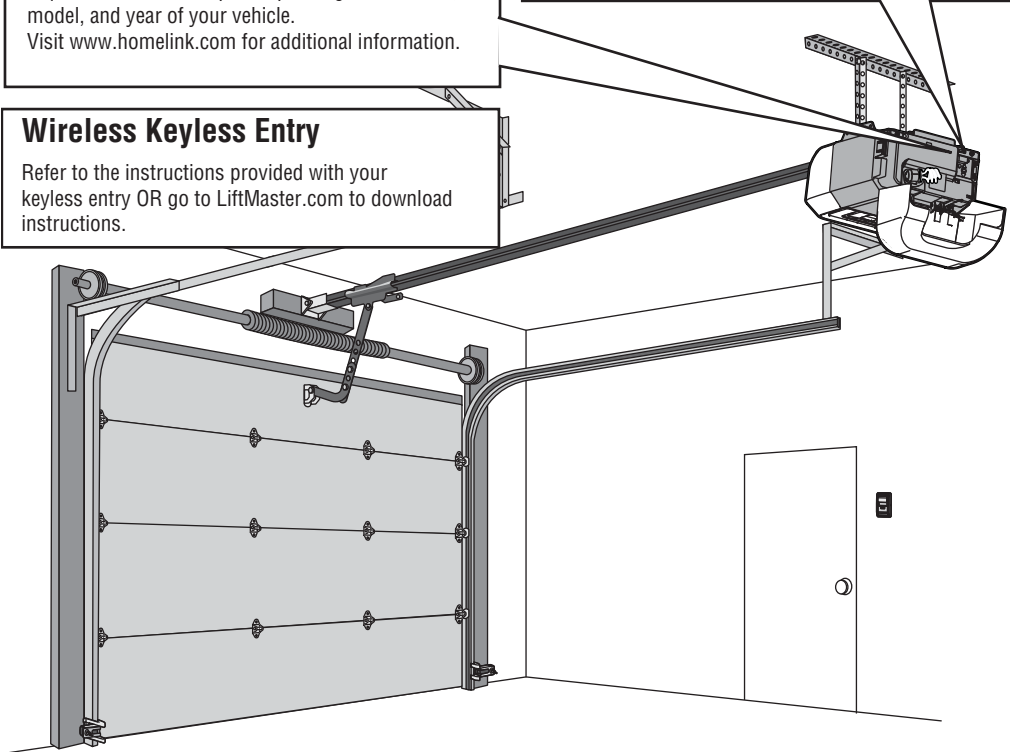
Press and hold the black adjustment button until 3 beeps are heard (approximately 6 seconds).

Black Adjustment Button



Erase a MyQ® Account

Go to myLiftMaster.com to delete your MyQ account.



Operation

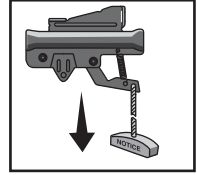
WARNING

To prevent possible **SERIOUS INJURY** or **DEATH** from a falling garage door:

- If possible, use emergency release handle to disengage trolley **ONLY** when garage door is **CLOSED**. Weak or broken springs or unbalanced door could result in an open door falling rapidly and/or unexpectedly.
- **NEVER** use emergency release handle unless garage doorway is clear of persons and obstructions.
- **NEVER** use emergency release handle to pull door open or closed. If rope knot becomes untied, you could fall.

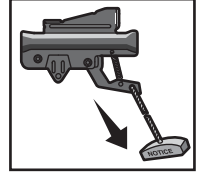
To Open the Door Manually

1. The door should be fully closed if possible.
2. Pull down on the emergency release handle.

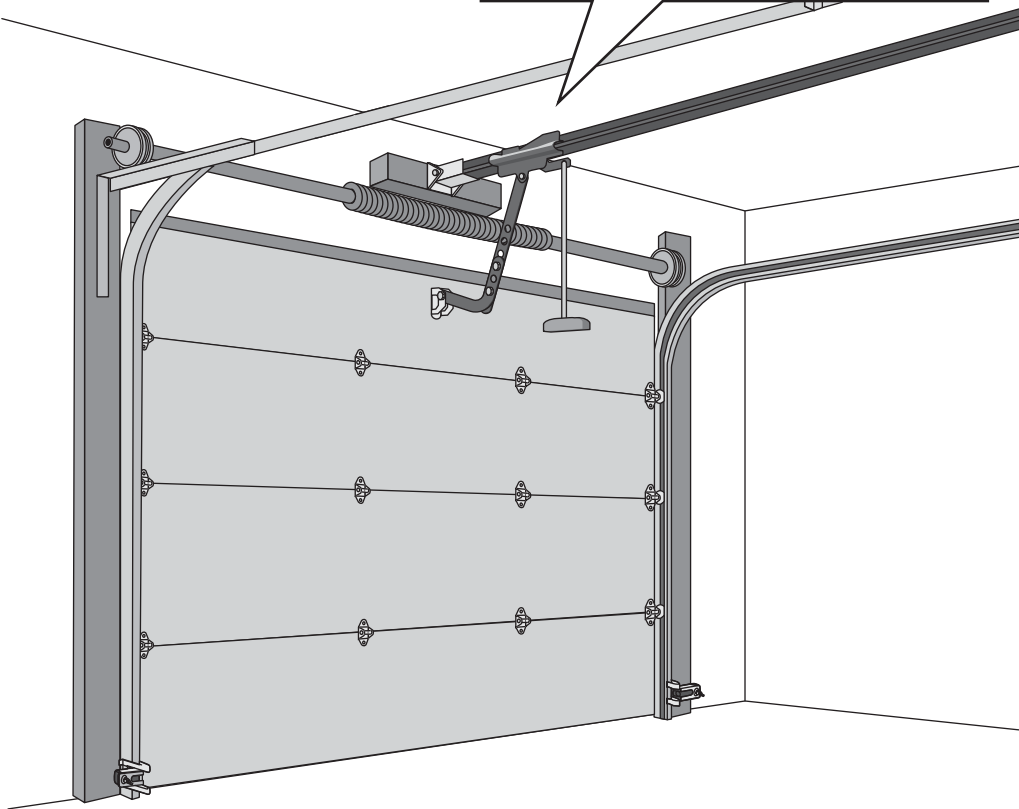


Lockout Feature

1. Pull the emergency release handle down and back. The door can then be raised and lowered manually as often as necessary.
2. To disengage the lockout feature, pull the handle straight down.



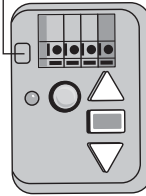
The trolley will reconnect on the next time the opener is activated.



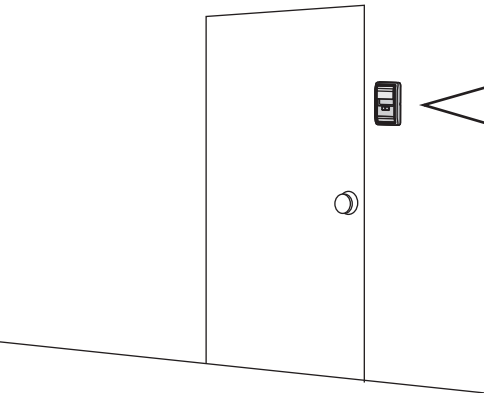
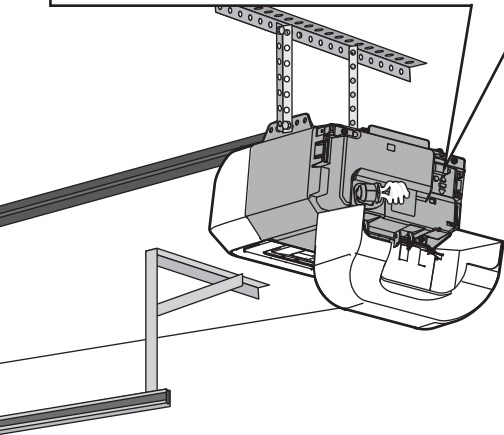
Battery Backup (If applicable)

The battery backup allows access in and out of your garage when the power is out. When the garage door opener is operating on battery power, the garage door opener will run slower and the lights, Timer-to-Close, and remote close features (MyQ® App) are disabled. During a power outage the battery supplies power for up to 24 hours of operation. For maximum battery life and prevent damage, disconnect the battery when the garage door opener is unplugged for an extended period of time.

Battery Status LED

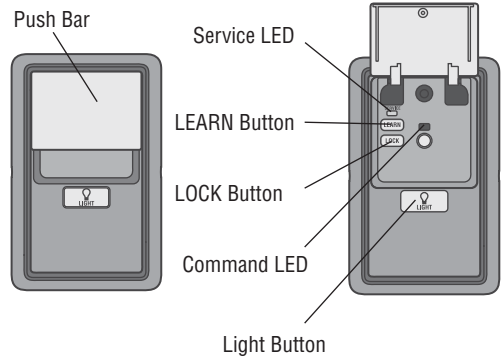


- Solid green LED - Charged battery
- Flashing green LED - Charging battery
- Solid orange LED with beep - Operating on battery power
- Flashing orange LED with beep - Low battery
- Solid red LED with beep - Replace battery

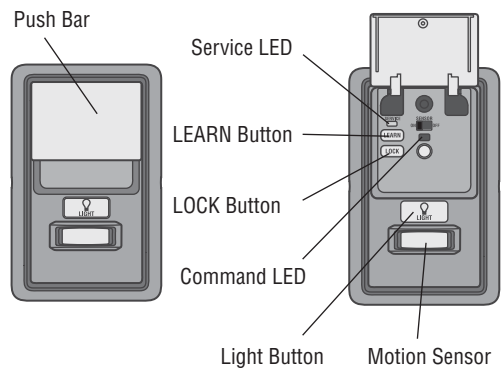


Door Control

MULTI-FUNCTION CONTROL PANEL 882LMW



MOTION DETECTING CONTROL PANEL 886LMW



* The garage door opener must run through a complete cycle before it will activate Wi-Fi® programming. For help related to Wi-Fi, visit WiFiHelp.LiftMaster.com.

Operation

The Protector System® (Safety Reversing Sensors)

WARNING

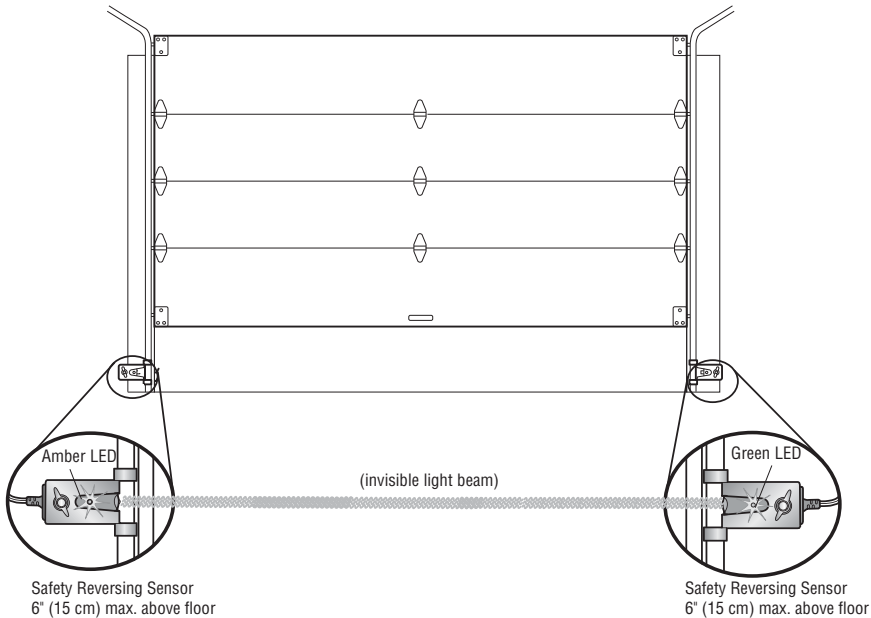
Be sure power is NOT connected to the garage door opener BEFORE installing the safety reversing sensor. To prevent SERIOUS INJURY or DEATH from closing garage door:

- Correctly connect and align the safety reversing sensor. This required safety device MUST NOT be disabled.
- Install the safety reversing sensor so beam is NO HIGHER than 6" (15 cm) above garage floor.

The safety reversing sensors must be connected and aligned correctly before the garage door opener will move in the down direction.

When the light beam is obstructed or misaligned while the door is closing, the door will reverse and the garage door opener lights will flash ten times. If the door is already open, it will not close.

The sensors can be aligned by loosening the wing nuts, aligning the sensors, and tightening the wing nuts. Check to make sure the LEDs in both sensors are glowing steadily. The LEDs in both sensors will glow steadily if they are aligned and wired correctly.



Adjustment

Introduction

WARNING

Without a properly installed safety reversal system, persons (particularly small children) could be SERIOUSLY INJURED or KILLED by a closing garage door.

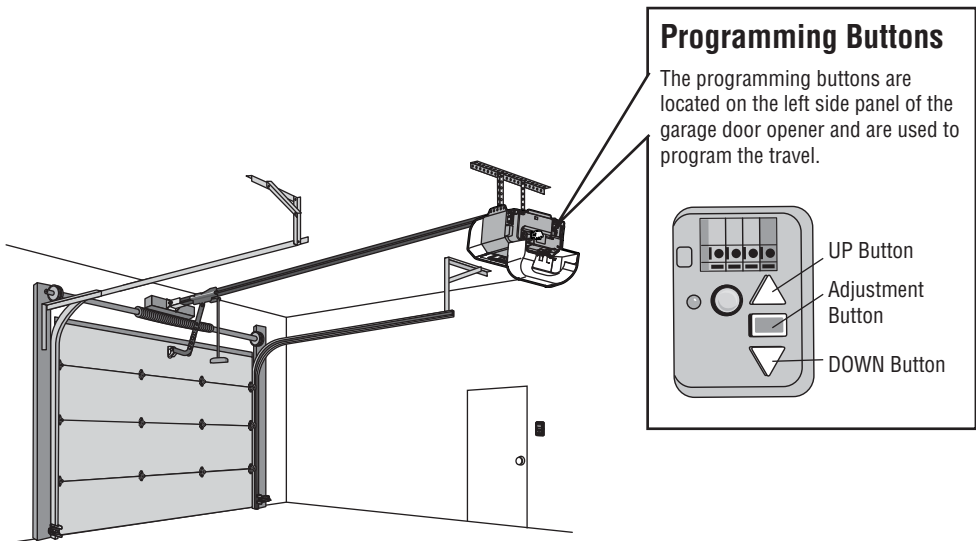
- Incorrect adjustment of garage door travel limits will interfere with proper operation of safety reversal system.
- After ANY adjustments are made, the safety reversal system **MUST** be tested. Door **MUST** reverse on contact with 1-1/2" (3.8 cm) high object (or 2x4 laid flat) on floor.

CAUTION

To prevent damage to vehicles, be sure fully open door provides adequate clearance.

Your garage door opener is designed with electronic controls to make setup and adjustments easy. The adjustments allow you to program where the door will stop in the open (UP) and close (DOWN) position. The electronic controls sense the amount of force required to open and close the door.

NOTE: If anything interferes with the door's upward travel it will stop. If anything interferes with the door's downward travel, it will reverse.



Adjustment

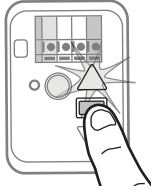
1 Program the Travel

WARNING

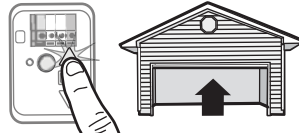
Without a properly installed safety reversal system, persons (particularly small children) could be SERIOUSLY INJURED or KILLED by a closing garage door.

- Incorrect adjustment of garage door travel limits will interfere with proper operation of safety reversal system.
- After ANY adjustments are made, the safety reversal system MUST be tested. Door MUST reverse on contact with 1-1/2" (3.8 cm) high object (or 2x4 laid flat) on floor.

- 1.1** Press and hold the Adjustment Button until the UP Button begins to flash and/or a beep is heard.

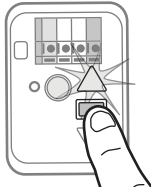


- 1.2** Press and hold the UP Button until the door is in the desired UP position.



NOTE: The UP and DOWN Buttons can be used to move the door up and down as needed.

- 1.3** Once the door is in the desired UP position press and release the Adjustment Button. The garage door opener lights will flash twice and the DOWN Button will begin to flash.

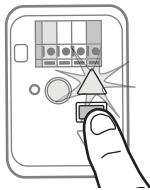


- 1.4** Press and hold the DOWN Button until the door is in the desired DOWN position.



NOTE: The UP and DOWN Buttons can be used to move the door up and down as needed.

- 1.5** Once the door is in the desired DOWN position press and release the Adjustment Button. The garage door opener lights will flash twice and the UP Button will begin to flash.



- 1.6** Press and release the UP Button. When the door travels to the programmed UP position, the DOWN Button will begin to flash.



- 1.7** Press and release the DOWN Button. The door will travel to the programmed DOWN position. Programming is complete.



* If the garage door opener lights are flashing 5 times during the steps for Program the Travel, the programming has timed out. If the garage door opener lights are flashing 10 times during the steps for Program the Travel, the safety reversing sensors are misaligned or obstructed. When the sensors are aligned and unobstructed, cycle the door through a complete up and down cycle using the remote control or the UP and DOWN buttons. Programming is complete. If you are unable to operate the door up and down, repeat the steps for Program the Travel.

Adjustment

2 Test the Safety Reversal System

WARNING

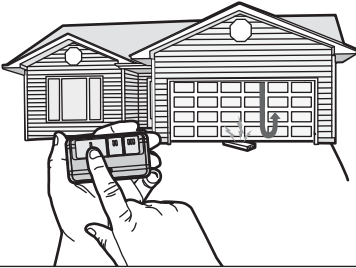
Without a properly installed safety reversal system, persons (particularly small children) could be SERIOUSLY INJURED or KILLED by a closing garage door.

- Safety reversal system MUST be tested every month.
- After ANY adjustments are made, the safety reversal system MUST be tested. Door MUST reverse on contact with 1-1/2" high (3.8 cm) object (or 2x4 laid flat) on the floor.

- 2.1 With the door fully open, place a 1-1/2 inch (3.8 cm) board (or a 2x4 laid flat) on the floor, centered under the garage door.



- 2.2 Press the remote control push button to close the door. The door MUST reverse when it makes contact with the board.



If the door stops and does not reverse on the obstruction, increase the down travel (see Adjustment Step 1).

Repeat the test. When the door reverses upon contact with the 1-1/2 inch (3.8 cm) board, remove the board and open/close the door 3 or 4 times to test the adjustment.

If the test continues to fail, call a trained door systems technician.

3 Test the Protector System®

WARNING

Without a properly installed safety reversing sensor, persons (particularly small children) could be SERIOUSLY INJURED or KILLED by a closing garage door.

- 3.1 Open the door. Place an obstruction in the path of the door.



- 3.2 Press the remote control push button to close the door. The door will not move more than an inch (2.5 cm), and the garage door opener lights will flash 10 times.



The garage door opener will not close from a remote control if the LED in either safety reversing sensor is off (alerting you to the fact that the sensor is misaligned or obstructed).

If the garage door opener closes the door when the safety reversing sensor is obstructed (and the sensors are no more than 6 inches [15 cm] above the floor), call for a trained door systems technician.

Maintenance

EVERY MONTH

- Manually operate door. If it is unbalanced or binding, call a trained door systems technician.
- Check to be sure door opens and closes fully. Adjust if necessary, page 12.
- Test the safety reversal system. Adjust if necessary, page 13.

EVERY YEAR

- Oil door rollers, bearings and hinges. The garage door opener does not require additional lubrication. Do not grease the door tracks.
- (If applicable) Test the battery backup and consider replacing the battery to ensure the garage door opener will operate during an electrical power outage.

Testing the Battery Backup:

1. Unplug the garage door opener from AC power. The battery status LED will glow solid orange (opener is operating on battery power) or will flash (low battery power).
2. Open and close the door using the remote control or door control.
3. Plug in the garage door opener. Verify the battery status LED is flashing green (battery is charging).

EVERY TWO TO THREE YEARS

- Use a rag to wipe away the existing grease from the garage door opener rail. Reapply a small layer of white lithium grease to the top and underside of the rail surface where the trolley slides.

The Remote Control Battery

WARNING

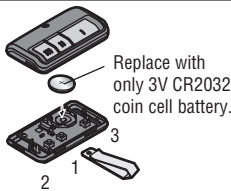
To prevent possible **SERIOUS INJURY** or **DEATH**:

- NEVER allow small children near batteries.
- If battery is swallowed, immediately notify doctor.

To reduce risk of fire, explosion or chemical burn:

- Replace **ONLY** with 3V CR2032 coin batteries.
- **DO NOT** recharge, disassemble, heat above 212°F (100°C) or incinerate.

Pry open the case first in the middle (1), then at each side (2 and 3) with visor clip.



Replace with only 3V CR2032 coin cell battery.

NOTICE: To comply with FCC and/or Industry Canada (IC) rules, adjustment or modifications of this transmitter are prohibited. **THERE ARE NO USER SERVICEABLE PARTS.**

This device complies with Part 15 of the FCC rules and IC RSS-210. Operation is subject to the following two conditions: (1) this device may not cause harmful interference, and (2) this device must accept any interference received, including interference that may cause undesired operation.

This device must be installed in a way where a minimum 8" (20 cm) distance is maintained between users/bystanders and device.

AVIS: Les règles de la FCC et/ou d'Industrie Canada (IC) interdisent tout ajustement ou toute modification de ce récepteur. **IL N'EXISTE AUCUNE PIÈCE SUSCEPTIBLE D'ÊTRE ENTRETENUE PAR L'UTILISATEUR.**

Cet appareil est conforme aux dispositions de la partie 15 du règlement de la FCC et de l'norme IC RSS-210. Son utilisation est assujettie aux deux conditions suivantes: (1) ce dispositif ne peut causer des interférences nuisibles, et (2) ce dispositif doit accepter toute interférence reçue, y compris une interférence pouvant causer un fonctionnement non souhaité.

Cet appareil doit être installé de manière à laisser une distance d'au moins 20 cm (8 po) entre celui-ci et l'utilisateur ou toute personne.

Troubleshooting

Below are basic troubleshooting tips, for additional help and support videos visit LiftMaster.com/Customer-Support or contact your installing dealer. For help related to Wi-Fi®, visit WiFiHelp.LiftMaster.com.

My garage door opener will not close and the light bulbs flash:

Check to make sure the LEDs in both sensors are glowing steadily. The LEDs in both sensors will glow steadily if they are aligned and wired correctly. See page 10.

My vehicle's Homelink® is not programming to my garage door opener:

Depending on the make, model, and year of your vehicle an external adapter may be required. Visit www.homelink.com for additional information.

My garage door opener beeps:

The garage door opener can beep for several reasons:

- Garage door opener has been activated through a device or feature such as Timer-to-Close, garage door monitor or LiftMaster Internet Gateway.
- Operating on battery power or the battery needs to be replaced.

My neighbor's remote control opens my garage door:

Erase the memory from your garage door opener and reprogram the remote control(s).

The garage door moves 6-8", stops or reverses:

- Manually open and close the garage door. Garage door may be binding or there may be an obstruction. If the door is binding, call a trained door systems technician.

- Possible travel module failure.

My remote control will not activate the garage door:

Verify the lock feature is not activated on the door control or reprogram the remote control.

The wall-mounted door control will not function:

The wires for the door control are shorted or the door control is faulty.

My garage door opener light(s) will not turn off when the door is open:

The garage door opener is equipped with a feature that turns the light on when the safety reversing sensors have been obstructed or when the motion sensor on the door control detects movement in the garage. This feature can be disabled using the door control.

Garage door opener hums for 1-2 seconds with no movement:

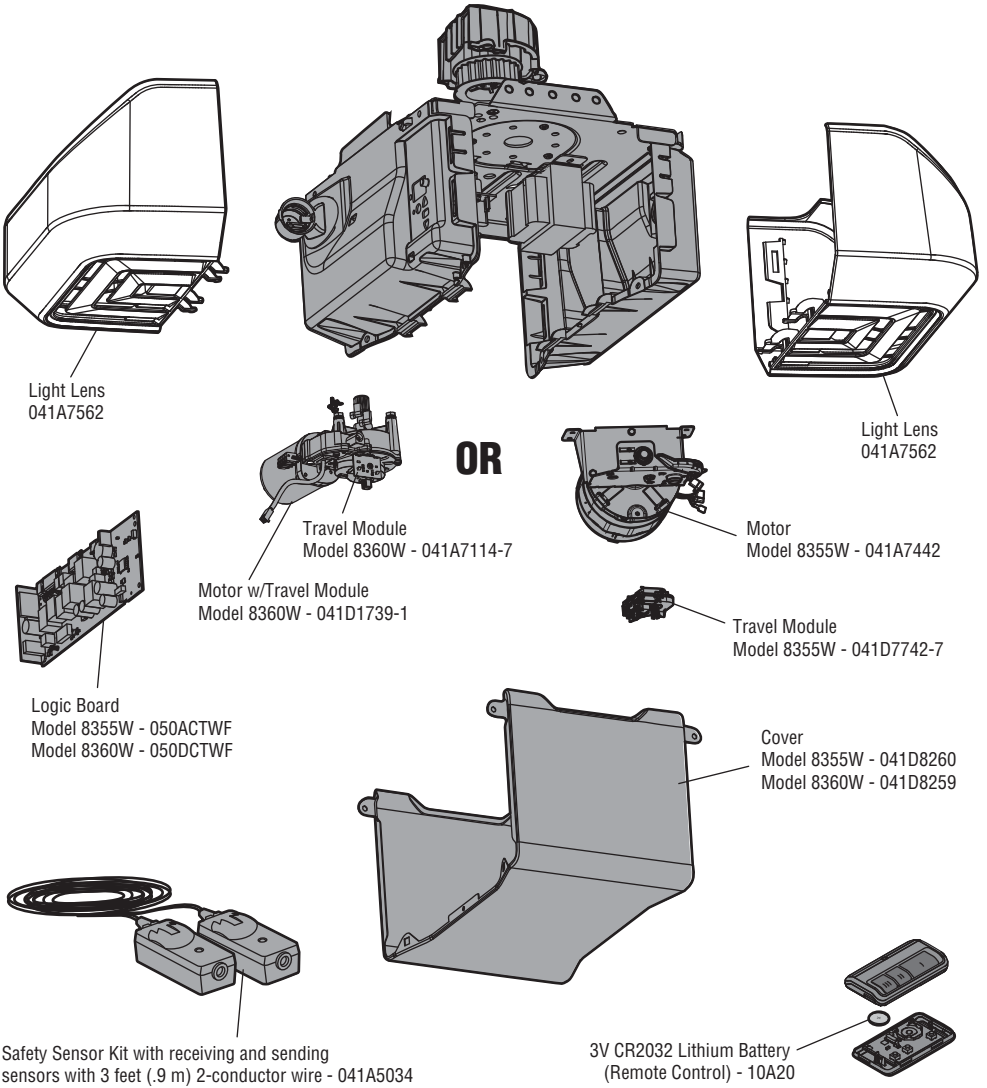
Manually open and close the garage door. Garage door may be binding or there may be an obstruction. If the door is binding, call a trained door systems technician.

Cannot connect garage door opener to home Wi-Fi network:

Ensure the MyQ Serial number was entered correctly and try again. The MyQ characters are between A-F and 0-9 only.

Repair Parts

For additional parts not shown, visit LiftMaster.com/Customer-Support to download or print the full owner's manual.



Warranty

LIFTMASTER® LIMITED WARRANTY

LiftMaster ("Seller") warrants to the first retail purchaser of this product, for the residence in which this product is originally installed, that it is free from defects in materials and/or workmanship for a specific period of time as defined below (the "Warranty Period"). The warranty period commences from the date of purchase.

WARRANTY PERIOD					
	Parts	Motor	Accessories	Belt	Battery Backup*
8355W	1 year	Lifetime	1 year	Lifetime	-
8360W	1 year	Lifetime	1 year	-	1 year

The proper operation of this product is dependent on your compliance with the instructions regarding installation, operation, and maintenance and testing. Failure to comply strictly with those instructions will void this limited warranty in its entirety.

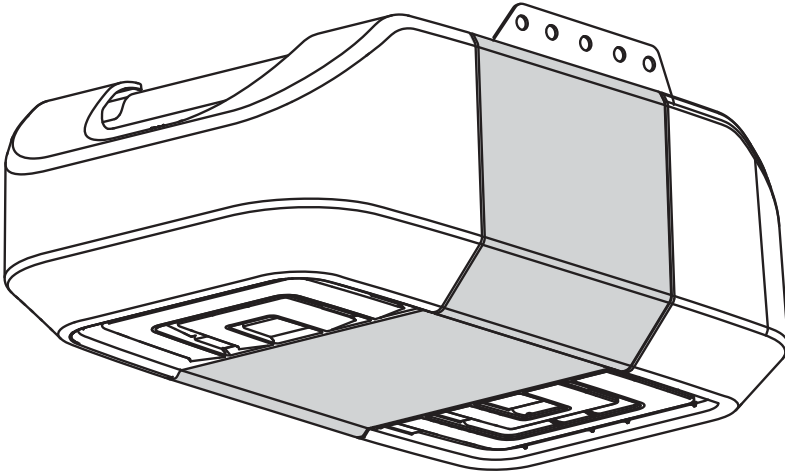
If, during the limited warranty period, this product appears to contain a defect covered by this limited warranty, call 1-800-528-9131, toll free, before dismantling this product. You will be advised of disassembly and shipping instructions when you call. Then send the product or component, pre-paid and insured, as directed to our service center for warranty repair. Please include a brief description of the problem and a dated proof-of-purchase receipt with any product returned for warranty repair. Products returned to Seller for warranty repair, which upon receipt by Seller are confirmed to be defective and covered by this limited warranty, will be repaired or replaced (at Seller's sole option) at no cost to you and returned pre- paid. Defective parts will be repaired or replaced with new or factory-rebuilt parts at Seller's sole option. [You are responsible for any costs incurred in removing and/or reinstalling the product or any component].

ALL IMPLIED WARRANTIES FOR THE PRODUCT, INCLUDING BUT NOT LIMITED TO ANY IMPLIED WARRANTIES OF MERCHANTABILITY AND FITNESS FOR A PARTICULAR PURPOSE, ARE LIMITED IN DURATION TO THE APPLICABLE LIMITED WARRANTY PERIOD SET FORTH ABOVE FOR THE RELATED COMPONENT(S), AND NO IMPLIED WARRANTIES WILL EXIST OR APPLY AFTER SUCH PERIOD. Some States and Provinces do not allow limitations on how long an implied warranty lasts, so the above limitation may not apply to you. THIS LIMITED WARRANTY DOES NOT COVER NON-DEFECT DAMAGE, DAMAGE CAUSED BY IMPROPER INSTALLATION, OPERATION OR CARE (INCLUDING, BUT NOT LIMITED TO ABUSE, MISUSE, FAILURE TO PROVIDE REASONABLE AND NECESSARY MAINTENANCE, UNAUTHORIZED REPAIRS OR ANY ALTERATIONS TO THIS PRODUCT), LABOR CHARGES FOR REINSTALLING A REPAIRED OR REPLACED UNIT, REPLACEMENT OF CONSUMABLE ITEMS (E.G., BATTERIES IN REMOTE CONTROL TRANSMITTERS AND LIGHT BULBS), OR UNITS INSTALLED FOR NON-RESIDENTIAL USE. THIS LIMITED WARRANTY DOES NOT COVER ANY PROBLEMS WITH, OR RELATING TO, THE GARAGE DOOR OR GARAGE DOOR HARDWARE, INCLUDING BUT NOT LIMITED TO THE DOOR SPRINGS, DOOR ROLLERS, DOOR ALIGNMENT OR HINGES. THIS LIMITED WARRANTY ALSO DOES NOT COVER ANY PROBLEMS CAUSED BY INTERFERENCE. UNDER NO CIRCUMSTANCES SHALL SELLER BE LIABLE FOR CONSEQUENTIAL, INCIDENTAL OR SPECIAL DAMAGES ARISING IN CONNECTION WITH USE, OR INABILITY TO USE, THIS PRODUCT. IN NO EVENT SHALL SELLER'S LIABILITY FOR BREACH OF WARRANTY, BREACH OF CONTRACT, NEGLIGENCE OR STRICT LIABILITY EXCEED THE COST OF THE PRODUCT COVERED HEREBY. NO PERSON IS AUTHORIZED TO ASSUME FOR US ANY OTHER LIABILITY IN CONNECTION WITH THE SALE OF THIS PRODUCT.

Some states and provinces do not allow the exclusion or limitation of consequential, incidental or special damages, so the above limitation or exclusion may not apply to you. This limited warranty gives you specific legal rights, and you may also have other rights, which vary from state to state and province to province.

* If applicable

GUIDE DE L'UTILISATEUR POUR RÉSIDENCES SEULEMENT



Ouvre-porte de garage Wi-Fi® de série PREMIUM MODÈLES 8355W • 8360W

- Veuillez lire attentivement ce guide de même que la documentation de sécurité incluse!
- La porte NE SE FERMERA PAS si le Système Protector® n'est pas branché et réglé correctement.
- Des vérifications périodiques de l'ouvre-porte de garage sont requises pour garantir un fonctionnement sécuritaire du dispositif.
- Cet ouvre-porte de garage est compatible UNIQUEMENT avec les accessoires MyQ® et Security+ 2.0®.
- NE PAS installer sur une porte rigide dans le cas de dispositifs ou fonctions permettant la fermeture non surveillée. Les dispositifs et fonctions non surveillés doivent être utilisés UNIQUEMENT avec des portes articulées.
- Apposer les étiquettes d'avertissement à l'endroit indiqué sur l'étiquette.

Enregistrez votre ouvre-porte de garage pour recevoir des mises à jour et des offres de LiftMaster



Prenez une photo de l'icône d'appareil-photo, y compris les points (⊙).

Envoyez la photo par message textuel à 71403 (É.-U.)
ou allez à www.liftmaster.photo (mondial)



LiftMaster.com

LiftMaster
845 Larch Avenue
Elmhurst, Illinois 60126-1196

Matières

Importantes Consignes de Sécurité.....	3-4
Connectez-vous votre téléphone intelligent	5-6
Tester la Puissance du Signal Wi-Fi®.....	5
Connecter l'ouvre-porte de garage au réseau Wi-Fi de votre domicile	6
Programmation.....	7
Télécommande	7
Émetteur à code	7
Pour effacer la mémoire	7
Fonctionnement.....	8-10
Ouverture manuelle de la porte	8
Commande de porte	9
Protector System® (Capteur d'inversion de sécurité)	10
Réglage	11-13
Introduction	11
Programmation des courses	12
Essai du système d'inversion de sécurité	13
Essai du Protector System®.....	13
Entretien.....	14
Dépannage.....	14
Pièces de Rechange.....	15
Garantie	16

Revue des symboles de sécurité et des mots de signalement

Cet ouvre-porte de garage a été conçu et mis à l'essai dans le but d'offrir un service sûr à condition qu'il soit installé, utilisé, entretenu et mis à l'essai en stricte conformité avec les instructions et les avertissements contenus dans le présent manuel.

Lorsque vous verrez ces symboles de sécurité et ces mots de signalement sur les pages suivantes, ils vous aviseront de la possibilité de **blessures graves ou de mort** si vous ne vous conformez pas aux avertissements qui les accompagnent. Le danger peut être de source mécanique ou provenir d'un choc électrique. Lisez attentivement les avertissements.

 **AVERTISSEMENT**

Mécanique

 **AVERTISSEMENT**

Électrique

Lorsque vous verrez ce mot de signalement sur les pages suivantes, il vous avisera de la possibilité de dommages à votre porte de garage ou ouvre-porte de garage, ou les deux, si vous ne vous conformez pas aux énoncés de mise en garde qui l'accompagnent. Lisez-les attentivement.

ATTENTION

Fonctionnement non surveillé

La fonction de temporisation de fermeture (TTC), l'application de commande MyQ® pour téléphone intelligent, le dispositif de surveillance de porte de garage et de barrière MyQ® sont des exemples de fermeture non surveillée; ces fonctions doivent être utilisées **UNIQUEMENT** avec des portes articulées. Tout dispositif ou toute fonction qui permet la fermeture de la porte sans visibilité directe de celle-ci constitue une fermeture non surveillée. La fonction de temporisation de fermeture (TTC), la commande MyQ® pour téléphone intelligent et tous les autres dispositifs MyQ® doivent être utilisés **UNIQUEMENT** avec des portes articulées.

Numéro de série myQ:

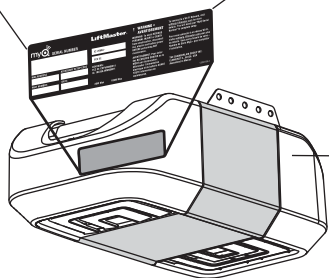
Veillez noter les renseignements suivants pour référence ultérieure :

Numéro de série MyQ® :

Code de configuration des accessoires :

Numéro de série :

Date d'achat :



Numéro de série

IMPORTANTES INSTRUCTIONS CONCERNANT LA POSE

AVERTISSEMENT

Pour réduire le risque de BLESSURES GRAVES, voire MORTELLES :

1. LIRE ET SUIVRE TOUS LES AVERTISSEMENTS ET INSTRUCTIONS.
2. Poser l'ouvre-porte de garage UNIQUEMENT sur une porte de garage bien équilibrée et lubrifiée. Une porte mal équilibrée peut ne PAS inverser sa course en cas de besoin et peut entraîner des BLESSURES GRAVES, voire MORTELLES.
3. TOUTES les réparations aux câbles, ensembles de ressort et autres ferrures de montage DOIVENT être confiées à un technicien formé en systèmes de porte AVANT de poser l'ouvre-porte.
4. Désactiver TOUTES les serrures et retirer TOUTES les cordes raccordées à la porte de garage AVANT de poser l'ouvre-porte afin d'éviter un emmêlement.
5. Poser l'ouvre-porte de garage à au moins 2,13 m (7 pi) au-dessus du sol.
6. Laisser le déverrouillage de secours à portée de main, mais à au moins 1,83 m (6 pi) du sol et éviter tout contact avec des véhicules afin d'éviter tout déclenchement accidentel.
7. Ne JAMAIS raccorder l'ouvre-porte de garage à une source de courant avant d'avoir reçu l'instruction de le faire.
8. Ne JAMAIS porter de montres, bagues ou vêtements amples durant la pose ou l'entretien de l'ouvre-porte. Ils pourraient être happés par la porte de garage ou les mécanismes de l'ouvre-porte.
9. Poser la commande de porte murale :
 - bien en vue de la porte de garage.
 - hors de la portée des enfants à une hauteur minimum de 5 pieds (1,5 m).
 - à l'écart de TOUTES les pièces mobiles de la porte.
10. Placer l'étiquette d'avertissement de prise au piège sur le mur à côté de la commande de la porte de garage.
11. Placer l'étiquette d'essai d'inversion de sécurité/ouverture manuelle bien en vue sur le côté intérieur de la porte de garage.
12. Au terme de la pose, faire l'essai du système d'inversion de sécurité. La porte DOIT remonter au contact d'un objet d'une hauteur de 3,8 cm (1-1/2 po) (ou un 2 x 4 posé à plat) sur le sol.
13. Pour éviter des BLESSURES GRAVES ou la MORT par électrocution, débranchez TOUTE alimentation électrique ainsi que les piles AVANT TOUTE intervention.
14. N'activez PAS la minuterie de fermeture si vous utilisez une porte de garage monobloc ou battante. Elle doit être activée UNIQUEMENT lorsqu'on utilise une porte articulée.
15. **CONSERVER CES INSTRUCTIONS.**

IMPORTANTES CONSIGNES DE SÉCURITÉ

AVERTISSEMENT

Pour réduire le risque de BLESSURES GRAVES, voire MORTELLES :

1. LIRE ET SUIVRE TOUS LES AVERTISSEMENTS ET INSTRUCTIONS.
2. Gardez EN TOUT TEMPS la télécommande hors de portée des enfants. Ne JAMAIS laisser les enfants faire fonctionner les télécommandes ou les boutons-poussoirs de la commande de porte ou jouer avec ceux-ci.
3. Actionner la porte de garage UNIQUEMENT lorsqu'on peut la voir clairement, qu'elle est bien réglée et qu'il n'y a aucune obstacle à la course de la porte.
4. Gardez TOUJOURS la porte de garage en vue TOUTE personne ou tout objet à l'écart de la porte jusqu'à sa fermeture complète. NE LAISSEZ PERSONNE TRAVERSER LA TRAJECTOIRE DE LA PORTE EN MOUVEMENT.
5. PERSONNE NE DOIT PASSER SOUS UNE PORTE ARRÊTÉE OU PARTIELLEMENT OUVERTE.
6. Si possible, utilisez la poignée de déclenchement d'urgence pour dégager le chariot UNIQUEMENT lorsque la porte de garage est FERMÉE. Faites preuve de prudence lorsque vous utilisez cette poignée lorsque la porte est ouverte. Des ressorts affaiblis ou brisés ou une porte déséquilibrée peuvent entraîner la chute rapide et/ou inattendue de la porte et accroître le risque de BLESSURES GRAVES, voire MORTELLES.
7. N'utilisez JAMAIS la poignée de déclenchement d'urgence à moins que rien ou personne n'obstrue la trajectoire de la porte.
8. N'utilisez JAMAIS la poignée pour ouvrir ou fermer la porte de garage. Il y a risque de chute si le noeud de la corde se défait.
9. Après avoir effectué quelque réglage que ce soit, on DOIT faire l'essai du système d'inversion de sécurité.
10. Le système d'inversion de sécurité DOIT être testé chaque mois. La porte de garage DOIT remonter au contact d'un objet d'une hauteur de 3,8 cm (1 1/2 po) (ou un 2 x 4 posé à plat) du sol. À défaut de régler l'ouvre-porte de garage correctement, le risque de BLESSURE GRAVE ou de MORT ACCIDENTELLE sera accru.
11. LA PORTE DE GARAGE DOIT TOUJOURS ÊTRE CORRECTEMENT ÉQUILIBRÉE. Une porte mal équilibrée peut ne PAS inverser sa course en cas de besoin et peut entraîner des BLESSURES GRAVES, voire MORTELLES.
12. TOUTES les réparations sur les câbles, les ressorts et la quincaillerie, et de TOUT ce qui se trouve sous une tension EXTRÊME, DOIVENT être confiées à des techniciens formés à cet effet.
13. TOUJOURS mettre l'ouvre-porte de garage hors tension AVANT d'effectuer quelque réparation que ce soit ou d'enlever des couvercles.
14. Ce système opérateur est équipé d'un dispositif de fonctionnement sans surveillance. La porte est susceptible de se mettre en mouvement inopinément. NE LAISSEZ PERSONNE TRAVERSER LA TRAJECTOIRE DE LA PORTE EN MOUVEMENT.
15. N'activez PAS la minuterie de fermeture si vous utilisez une porte de garage monobloc ou battante. Elle doit être activée UNIQUEMENT lorsqu'on utilise une porte articulée.
16. **CONSERVER CES INSTRUCTIONS.**

Connectez-vous votre téléphone intelligent



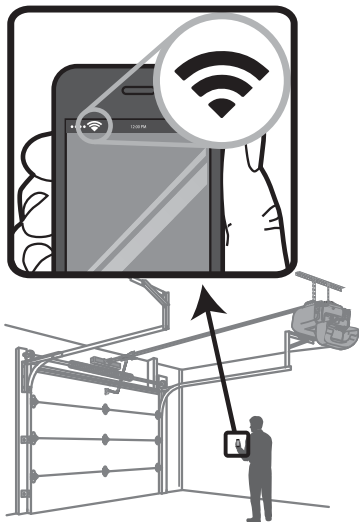
Avant que tu commences

Ce qu'il vous faudra :

- Un téléphone intelligent, tablette ou ordinateur portable activés par Wi-Fi®
- Une connexion Internet à bande large
- Un puissant signal Wi-Fi dans le garage (**2,4 GHz exigés**)
- Le mot de passe du réseau de votre domicile (compte principal du routeur, pas le réseau d'invité)

Tester la puissance du signal Wi-Fi

Vérifier que votre appareil mobile est connecté au réseau de votre domicile. Tenir votre appareil mobile à côté de l'ouvreporte de garage et vérifier la puissance du signal Wi-Fi.



Vérifiez la puissance du signal. Si vous voyez :



Le signal WiFi est fort.

L'ouvre-porte de garage se connectera à votre réseau Wi-Fi.



Le signal WiFi est faible.

L'ouvre-porte de garage pourrait se connecter à votre réseau Wi-Fi. Sinon, essayer l'une des options ci-dessous pour améliorer le signal Wi-Fi.



Aucun signal WiFi.

L'ouvre-porte de garage ne pourra pas se connecter à votre réseau Wi-Fi. Essayer l'une des options ci-dessous pour améliorer le signal Wi-Fi:

- Rapprocher votre routeur de l'ouvre-porte réduire l'interférence des murs et des autres objets
- Achetez un prolongateur de portée Wi-Fi

Pour prendre connaissance des caractéristiques de routeur compatible et pour obtenir de l'aide, aller à WiFiHelp.LiftMaster.com.

Voir page 6.

Connectez-vous votre téléphone intelligent

Connecter l'ouvre-porte de garage au réseau Wi-Fi® de votre domicile.

Connectez-vous et commandez votre ouvre-porte de garage avec l'application MyQ®.

1. Lever la barre-poussoir sur la commande de la porte. Enfoncer et relâcher le bouton LEARN (apprentissage). L'ouvre-porte de garage émettra un seul bip et la DEL sur la commande de la porte clignotera pour indiquer le mode de programmation Wi-Fi. Vous avez 20 minutes pour exécuter le processus de connexion.

2. Sur votre appareil mobile, allez à Settings (Paramètres) > Wi-Fi et sélectionnez le réseau portant le préfixe « MyQ ».

3. Lancez le navigateur Web sur votre téléphone intelligent ou votre tablette. Saisissez **setup.myqdevice.com** dans la barre d'adresse du navigateur. Suivez le menu à l'écran pour connecter l'ouvre-porte de garage au réseau Wi-Fi de votre domicile. Le numéro de série MyQ s'affichera à l'écran. Écrire le numéro de série dans l'espace ci-dessous.

4. Téléchargez l'application MyQ à partir de l'App Store® ou de la boutique Google Play™. Inscrivez-vous pour ouvrir un compte MyQ et ajoutez le numéro de série MyQ à votre compte.

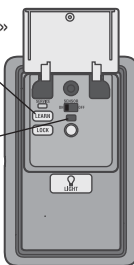
Pour ajouter un deuxième ouvre-porte de garage Wi-Fi, répéter les étapes 1 à 3. Ajouter le deuxième numéro de série MyQ à votre compte dans l'application MyQ.

En cas d'échec de l'ajout de votre appareil, essayer un autre navigateur ou aller à WiFiHelp.LiftMaster.com.

Bouton « LEARN »
(d'apprentissage)

DEL Commande

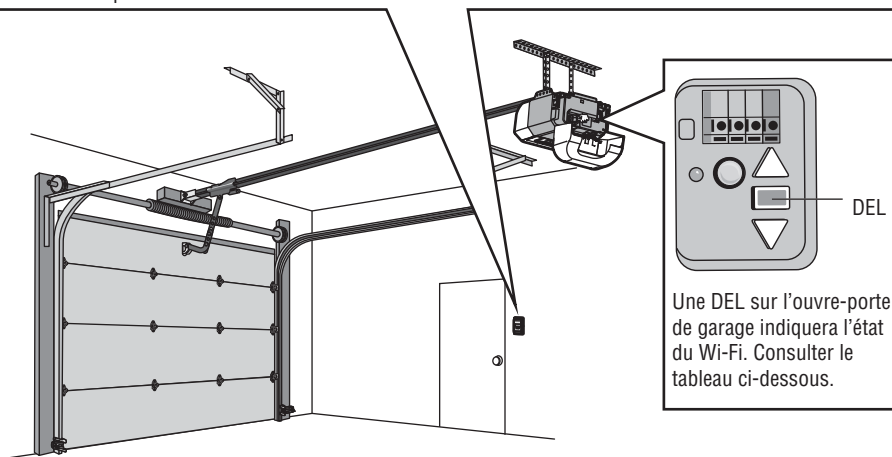
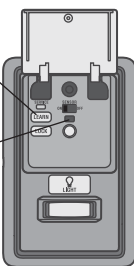
Panneau de Commande
Multifonction
882LMW



Bouton « LEARN »
(d'apprentissage)

DEL Commande

Panneau de Commande
de Porte avec Détection
de Mouvement
886LMW



DEL

Une DEL sur l'ouvre-porte de garage indiquera l'état du Wi-Fi. Consulter le tableau ci-dessous.

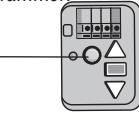
DEL	Définition
Bleu	Arrêt - Le Wi-Fi n'est pas activé. Clignotant - Mettre l'ouvre-porte de garage en mode d'apprentissage Wi-Fi. Allumé en continu - L'appareil mobile est connecté à l'ouvre-porte de garage.
Bleue et verte	Clignotant - Tentative de connexion au routeur.
Verte	Clignotant - Tentative de connexion au serveur Internet. Allumé en continu - Le Wi-Fi a été configuré et l'ouvre-porte de garage est connecté à Internet.

Programmation

Télécommande

Les étapes de programmation d'une télécommande neuve ou existante sont expliquées ci-dessous. Les télécommandes sont programmées en usine. Tester la télécommande avant de la reprogrammer.

1. Enfoncer et relâcher le bouton d'apprentissage de l'ouvre-porte de garage.
2. Enfoncer et tenir le bouton de la télécommande que vous désirez utiliser. Relâcher le bouton lorsque l'éclairage de l'ouvre-porte de garage clignote ou que deux clics se font entendre.



OU

1. Appuyer sur le bouton Learn de la commande de la porte pour entrer en mode de programmation.
2. Appuyer sur le bouton LEARN une nouvelle fois, le témoin DEL clignotera une fois.
3. Appuyer sur le bouton de la télécommande qui fera fonctionner votre porte de garage.



Si votre véhicule est équipé du système Homelink®, un adaptateur externe peut être nécessaire selon la marque et l'année-modèle de votre véhicule. Visitez www.homelink.com pour de l'information supplémentaire.

Pour effacer la mémoire

Effacer toutes les télécommandes et télédéverrouillage

Appuyer sur le bouton « Learn » de l'ouvre-porte de garage et le maintenir enfoncé jusqu'à ce que le témoin DEL du bouton « Learn » s'éteigne (environ 6 secondes). Tous les codes sont maintenant effacés.

Bouton « LEARN »



Effacer tous les dispositifs (compris les accessoires permis de MyQ®)

1. Appuyer sur le bouton « Learn » et le maintenir enfoncé jusqu'à ce que le témoin DEL s'éteigne (environ 6 secondes).
2. Appuyer immédiatement sur le bouton « Learn » et le maintenir enfoncé jusqu'à ce que le témoin DEL s'éteigne. Tous les codes sont maintenant effacés.



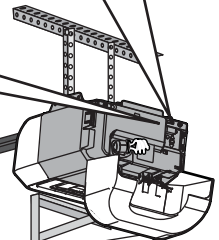
Effacer le réseau Wi-Fi de l'ouvre-porte de garage

Bouton de réglage noir

Appuyez et maintenez le bouton de réglage noir jusqu'à 3 bips (environ 6 seconds).

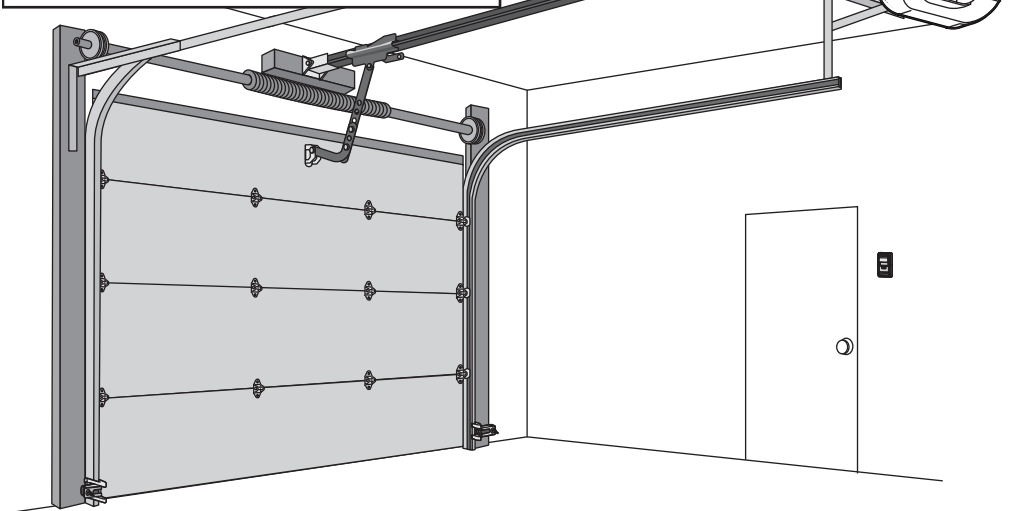
Effacer le compte MyQ®

Allez à myLiftMaster.com pour supprimer votre compte MyQ.



Émetteur à code sans fil

Consulter les instructions fournies avec votre dispositif d'accès sans fil OU aller à LiftMaster.com pour télécharger les instructions.



Fonctionnement

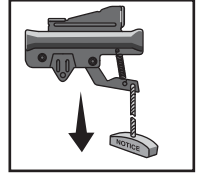
AVERTISSEMENT

Pour prévenir d'éventuelles BLESSURES GRAVES ou LA MORT par suite de la chute d'une porte de garage :

- Si possible, utilisez la poignée de déclenchement d'urgence pour dégager le chariot **UNIQUEMENT** lorsque la porte de garage est **FERMÉE**. Des ressorts faibles ou brisés ou une porte déséquilibrée peuvent provoquer la chute rapide et/ou imprévue d'une porte ouverte.
- N'utilisez **JAMAIS** la poignée de déclenchement d'urgence à moins que rien ou personne n'obstrue la trajectoire de la porte.
- Ne **JAMAIS** utiliser la poignée pour ouvrir ou fermer la porte. Il y a risque de chute si le noeud de la corde se défait.

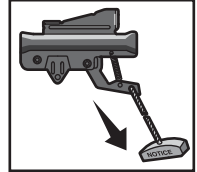
Ouverture manuelle de la porte

1. Dans la mesure du possible, la porte doit être complètement fermée.
2. Tirer la poignée de déclenchement d'urgence.

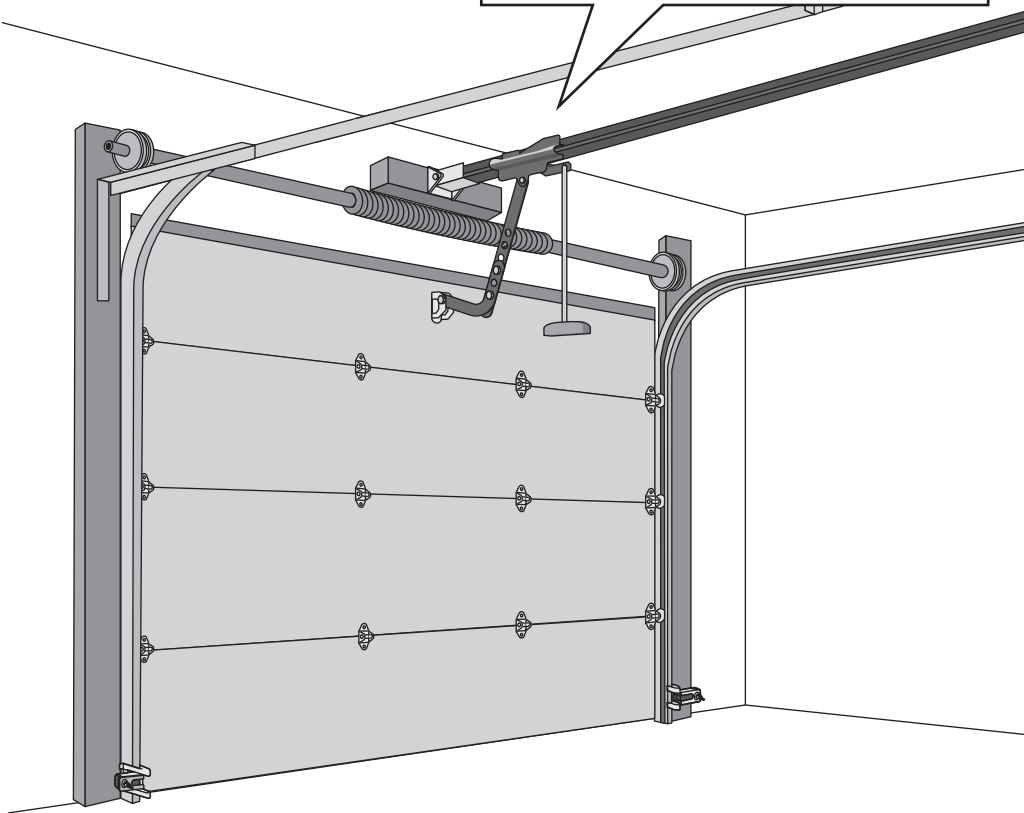


Fonction de verrouillage

1. Tirez la poignée de déverrouillage d'urgence vers le bas et la laissez revenir (vers l'ouvre-porte). Il sera alors possible d'ouvrir et de fermer la porte à la main autant de fois qu'on le désirera.
2. Pour désactiver la fonction de verrouillage, tirez la poignée vers le bas.



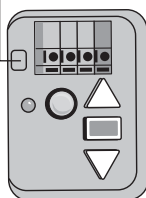
Le chariot se réenclenchera lors de la prochaine ouverture ou fermeture de la porte.



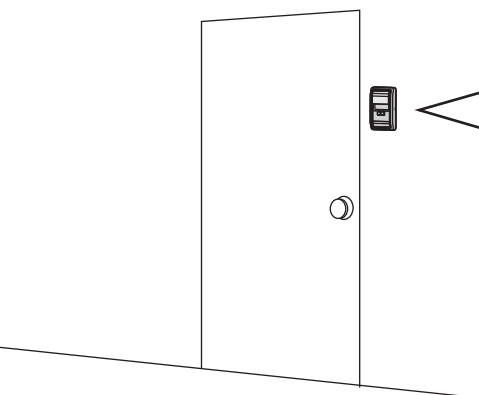
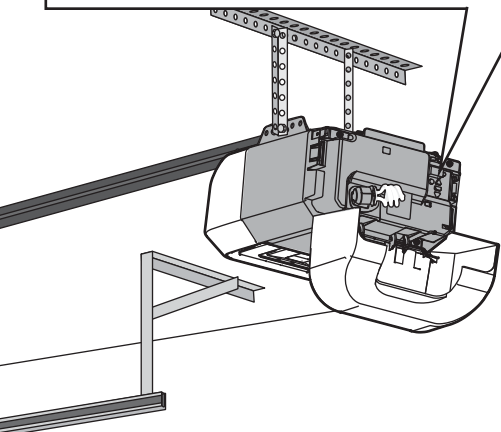
Pile de secours (S'il y a lieu)

La pile de secours vous permet d'entrer ou de sortir de votre garage lors d'une panne de courant. Lorsque l'ouvre-porte de garage fonctionne sur l'alimentation de secours, il fonctionne plus lentement et les fonctions d'éclairage, de temporisation de fermeture et de télécommande de fermeture (application MyQ®) sont désactivées. Lors d'une panne de courant, la pile de secours fournit une alimentation pendant 24 heures. Pour obtenir une longévité maximale de la pile et éviter tous dommages, débranchez la pile si l'ouvre-porte de garage doit rester débranché pendant une longue période de temps.

DEL d'état de charge de la pile

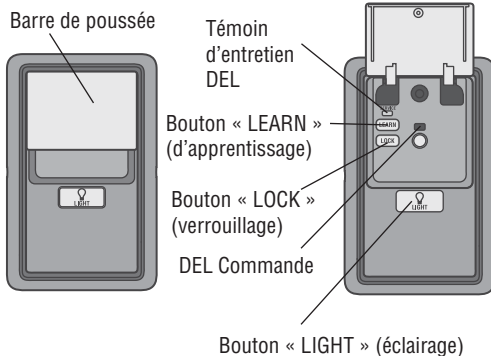


- DEL verte solide - Pile chargée
- DEL vert clignotant - Pile est cours de recharge
- DEL orange solide avec bip - Fonctionne pile
- DEL orange clignotant avec bip - Pile est faible
- DEL rouge solide avec bip - Remplacée pile

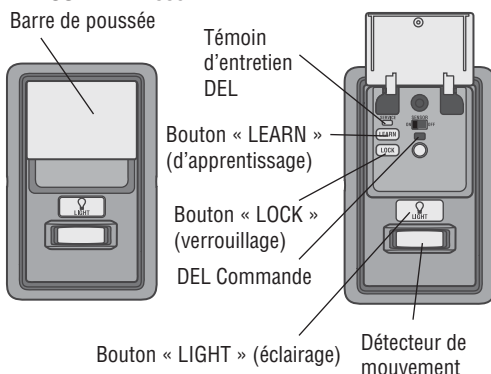


Commande de porte

PANNEAU DE COMMANDE MULTIFONCTION 882LMW



PANNEAU DE COMMANDE DE PORTE AVEC DÉTECTION DE MOUVEMENT 886LMW



* L'ouvre-porte de garage doit exécuter un cycle complet avant qu'il puisse activer la programmation Wi-Fi®. Pour une assistance concernant le Wi-Fi, visiter WiFihelp.LiftMaster.com.

Fonctionnement

Protector System® (Capteur d'inversion de sécurité)



AVERTISSEMENT

S'assurer que l'ouvre-porte de garage est hors tension AVANT de poser le capteur d'inversion de sécurité.

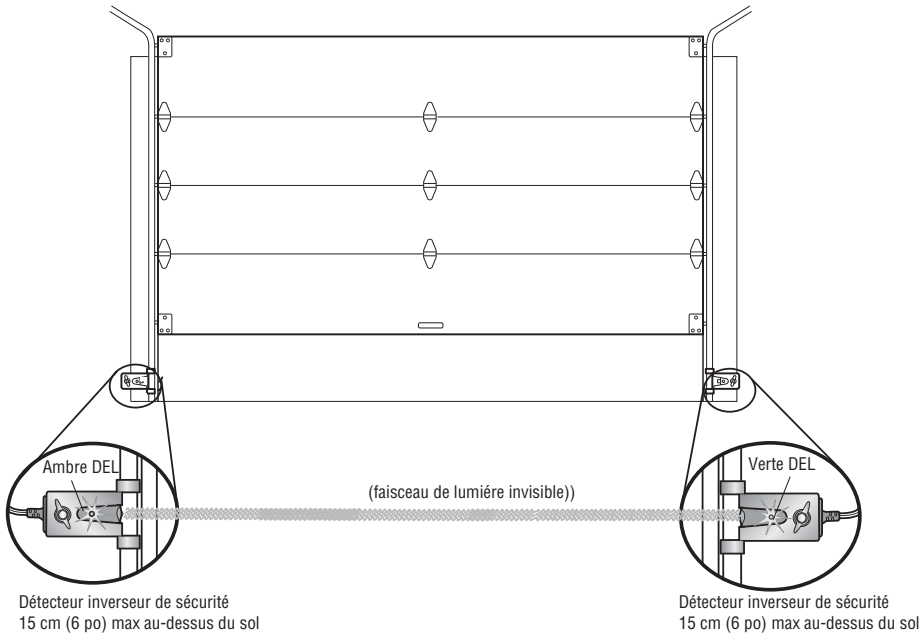
Pour prévenir des BLESSURES GRAVES ou LA MORT par suite d'une porte de garage qui se ferme :

- Raccorder et aligner correctement le capteur d'inversion de sécurité. Ce dispositif de sécurité requis NE DOIT PAS être désactivé.
- Poser le capteur d'inversion de sécurité de manière à ce que le faisceau NE SOIT PAS À UNE HAUTEUR de plus de 15 cm (6 po) au-dessus du plancher du garage.

Le détecteur inverseur de sécurité doit être connecté et aligné correctement avant que l'ouvre-porte de garage n'entame le mouvement de fermeture.

Si le faisceau lumineux est obstrué ou mal aligné quand la porte se ferme, celle-ci va revenir en arrière et les lumières de l'ouvre-porte de garage vont clignoter dix fois. Si la porte est déjà ouverte, elle ne se fermera pas.

On peut aligner les détecteurs en desserrant les écrous à oreilles, en alignant les détecteurs, puis en serrant les écrous en question. S'assurer que les témoins DEL des deux détecteurs sont allumés. Les témoins DEL des deux détecteurs s'allumeront en continu s'ils sont alignés et bien câblés.



Réglage

Introduction

AVERTISSEMENT

Sans un système d'inversion de sécurité bien installé, des personnes (plus particulièrement les petits enfants) pourraient être GRIÈVEMENT BLESSÉES ou TUÉES par une porte de garage qui se ferme.

- Un réglage erroné des courses de la porte de garage gênera un fonctionnement approprié du système d'inversion de sécurité.
- Après avoir effectué quelque réglage que ce soit, on DOIT faire l'essai du système d'inversion de sécurité. La porte de garage DOIT remonter au contact d'un objet d'une hauteur de 3,8 cm (1-1/2 po) (ou un 2 x 4 posé à plat) du sol.

ATTENTION

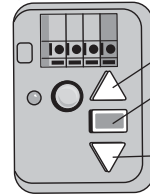
Pour prévenir les dommages aux véhicules, s'assurer que la porte entièrement ouverte offre un dégagement suffisant.

Votre ouvre-porte de garage est conçu avec des commandes électroniques pour rendre la configuration et les réglages faciles. Les réglages vous permettent de programmer là où la porte s'arrêtera en position d'ouverture « UP » et de fermeture « DOWN ». Les commandes électroniques détectent la puissance du courant nécessaire à l'ouverture et à la fermeture de la porte.

REMARQUE : Si quoi que ce soit gêne l'ouverture de la porte, elle s'arrêtera. Si quoi que ce soit gêne la fermeture de la porte, elle remontera.

Boutons de programmation

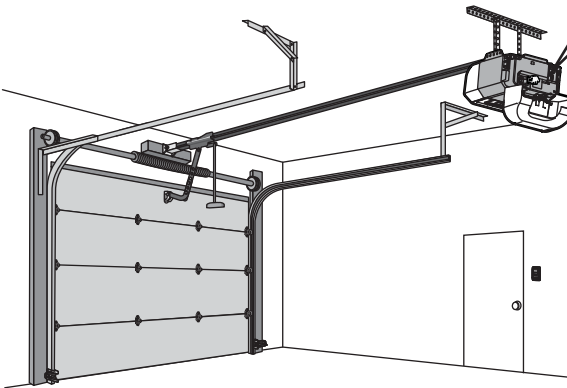
Les boutons de programmation sont situés sur le panneau gauche de l'ouvreporte de garage et servent à programmer la course.



Bouton « UP »

Bouton de réglage

Bouton « DOWN »



Réglage

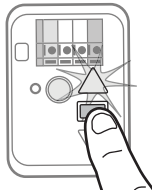
1 Programmation de la course

AVERTISSEMENT

Sans un système d'inversion de sécurité bien installé, des personnes (plus particulièrement les petits enfants) pourraient être GRIÈVEMENT BLESSÉES ou TUÉES par une porte de garage qui se referme :

- Un réglage erroné des courses de la porte de garage gênera un fonctionnement approprié du système d'inversion de sécurité.
- Après avoir effectué quelque réglage que ce soit, on DOIT faire l'essai du système d'inversion de sécurité. La porte de garage DOIT remonter au contact d'un objet d'une hauteur de 3,8 cm (1-1/2 po) (ou un 2 x 4 posé à plat) du sol.

- 1.1** Appuyer sur le bouton de réglage et le maintenir enfoncé jusqu'à ce que le bouton « UP » commence à clignoter ou qu'un bip se fait entendre.

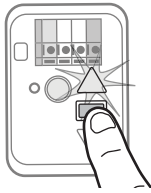


- 1.2** Appuyer sur le bouton « UP » et le maintenir enfoncé jusqu'à ce que la porte soit à la position d'ouverture désirée.

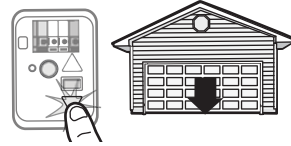


REMARQUE : On peut utiliser les boutons « UP » et « DOWN » pour déplacer la porte vers le haut et le bas, au besoin.

- 1.3** Une fois que la porte est dans la position d'ouverture désirée, appuyer sur le bouton de réglage et le relâcher. L'éclairage de l'ouvre-porte de garage clignotera deux fois et le bouton « DOWN » commencera à clignoter.

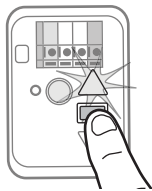


- 1.4** Appuyer sur le bouton « DOWN » et le maintenir enfoncé jusqu'à ce que la porte soit à la position de fermeture désirée.

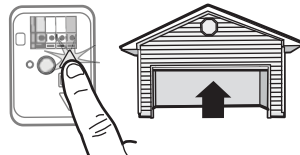


REMARQUE : On peut utiliser les boutons « UP » et « DOWN » pour déplacer la porte vers le haut et le bas, au besoin.

- 1.5** Une fois que la porte est dans la position de fermeture désirée, appuyer sur le bouton de réglage et le relâcher. L'éclairage de l'ouvre-porte de garage clignotera deux fois et le bouton « UP » commencera à clignoter.



- 1.6** Appuyer et relâcher le bouton « UP ». Lorsque la porte se déplace à la position « UP » programmée, le bouton « DOWN » commencera à clignoter.



- 1.7** Appuyer et relâcher le bouton « DOWN ». La porte se déplacera jusqu'à la position de fermeture programmée. La programmation est terminée.



* Si l'éclairage de l'ouvre-porte de garage clignote 5 fois au cours des étapes de programmation de la course, le délai de programmation a expiré. Si l'éclairage de l'ouvre-porte de garage clignote 10 fois au cours des étapes de programmation de la course, les capteurs d'inversion de sécurité sont mal alignés ou obstrués. Lorsque les capteurs sont alignés et dégagés, effectuer un cycle d'ouverture et de fermeture complet de la porte en utilisant la télécommande ou les boutons « UP » et « DOWN ». La programmation est terminée. Si on ne parvient pas à actionner la porte, répéter les étapes de la programmation de la course.

2 Essai du système d'inversion de sécurité

⚠ AVERTISSEMENT

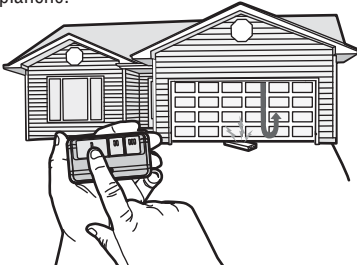
Sans un système d'inversion de sécurité bien installé, des personnes (plus particulièrement les petits enfants) pourraient être GRIÈVEMENT BLESSÉES ou TUÉES par une porte de garage qui se referme.

- On DOIT procéder à une vérification mensuelle du système d'inversion de sécurité.
- Après avoir effectué quelque réglage que ce soit, on DOIT faire l'essai du système d'inversion de sécurité. La porte de garage DOIT remonter au contact d'un objet d'une hauteur de 3,8 cm (1-1/2 po) (ou un 2 x 4 posé à plat) sur le sol.

- 2.1** La porte étant entièrement ouverte, placer une planche de 3,8 cm (1-1/2 po) d'épaisseur (ou un 2 x 4 à plat) sur le plancher, centrée sous la porte de garage.



- 2.2** Appuyer sur le bouton-poussoir de la télécommande pour fermer la porte. La porte DOIT remonter quand elle entre en contact avec la planche.



Si la porte s'arrête et ne remonte pas en raison de l'obstruction, augmenter la course de fermeture (voir l'étape de réglage n° 1).

Répéter l'essai. l'essai. Lorsque la porte remonte au contact de la planche de 3,8 cm (1-1/2 po), retirer la planche et ouvrir-fermer la porte 3 ou 4 fois afin de vérifier le réglage.

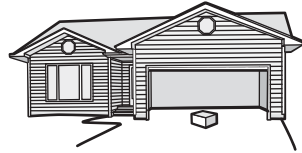
Si l'essai échoue encore, appeler un technicien formé en systèmes de porte.

3 Essai du Protector System®

⚠ AVERTISSEMENT

Sans un système d'inversion de sécurité bien installé, des personnes (plus particulièrement les petits enfants) pourraient être GRIÈVEMENT BLESSÉES ou TUÉES par une porte de garage qui se referme.

- 3.1** Ouvrir la porte. Placer un obstacle dans la trajectoire de la porte en mouvement.



- 3.2** Appuyer sur le bouton-poussoir de la télécommande pour fermer la porte. La porte ne se déplacera pas plus de 2,5 cm (1 po) et l'éclairage de l'ouvre-porte de garage clignotera 10 fois.



Si l'essai échoue encore, appeler un technicien formé en systèmes de porte. L'ouvre-porte de garage ne se fermera pas à l'aide d'une télécommande si le témoin DEL d'un des deux capteurs d'inversion est éteint (ce qui avertit que le détecteur est mal aligné ou obstrué).

Si l'ouvre-porte de garage ferme la porte lorsque le capteur d'inversion de sécurité est obstrué (et que les capteurs ne sont pas à plus de 15 cm (6 po) du sol), appeler un technicien formé en systèmes de porte.

Entretien

CHAQUE MOIS

- Faire fonctionner la porte à la main. Si elle est déséquilibrée ou si elle force, appeler un technicien formé en systèmes de porte.
- S'assurer que la porte s'ouvre et se ferme complètement. Ajuster, au besoin, voir page 12.
- Essai du système d'inversion de sécurité. Ajuster, au besoin, voir page 13.

CHAQUE ANNÉE

- Huiler les galets, les roulements et les charnières de la porte. Il n'est pas nécessaire de lubrifier davantage l'ouvre-porte de garage. Ne pas graisser les guides de la porte.
- (S'il y a lieu) Mettre la pile à l'essai et songer à la remplacer pour s'assurer que la porte de garage fonctionnera pendant une panne de courant électrique.
Mise à l'essai de la pile :
 1. Débranchez l'ouvre-porte de garage. Le témoin DEL de la pile s'allumera en orange foncé, ce qui indique que l'ouvre-porte fonctionne sur pile ou clignotera pour indiquer que la pile est faible.
 2. Ouvrez et fermez la porte à l'aide de la télécommande ou de la commande de porte.
 3. Branchez l'ouvre-porte de garage. Vérifiez si le témoin DEL de la pile clignote en vert, ce qui indique que la pile se recharge.

TOUS LES DEUX OU TROIS ANS

- Utiliser un chiffon pour éliminer la graisse sur le rail de l'ouvre-porte de garage. Appliquer de nouveau une fine couche de graisse blanche au lithium sur la surface du rail, là où le chariot glisse.

La pile de la télécommande



AVERTISSEMENT

Pour éviter des BLESSURES GRAVES, VOIRE MORTELLES :

- Ne laissez JAMAIS des enfants s'approcher de la pile.
- Communiquez immédiatement avec un médecin en cas d'ingestion d'une pile.

Pour réduire les risques d'incendie, d'explosion ou de brûlure chimique :

- Remplacer UNIQUEMENT par 3V CR2032 piles bouton.
- NE PAS recharger, démonter, chauffer à plus de 100 °C (212 °F) ou incinérer les piles.



Remplacer les piles uniquement par 3V CR2032 piles bouton.

Soulever le boîtier au milieu (1), puis de chaque (2 et 3) côté de l'agrape de pare-soleil.



AVIS : Les règles de la FCC et/ou d'Industrie Canada (IC) interdisent tout ajustement ou toute modification de ce récepteur. IL N'EXISTE AUCUNE PIÈCE SUSCEPTIBLE D'ÊTRE ENTRETENUE PAR L'UTILISATEUR.

Cet appareil est conforme aux dispositions de la partie 15 du règlement de la FCC et de l' norme IC RSS-210. Son utilisation est assujettie aux deux conditions suivantes : (1) ce dispositif ne peut causer des interférences nuisibles, et (2) ce dispositif doit accepter toute interférence reçue, y compris une interférence pouvant causer un fonctionnement non souhaité.

Cet appareil doit être installé de manière à laisser une distance d'au moins 20 cm (8 po) entre celui-ci et l'utilisateur ou toute personne.

Dépannage

Ci-dessous sont à la base de conseils, d'aide supplémentaire de dépannage et support vidéos visite LiftMaster.com/Customer-Support ou contacter votre marchand installation. Pour une assistance concernant le Wi-Fi®, visiter WiFiHelp.LiftMaster.com.

Ma porte ne se ferme pas et les ampoules de l'éclairage clignent :

Vérifiez que les LEDs dans les deux capteurs sont constamment allumés. Les LEDs dans les deux capteurs seront allumés régulièrement s'ils sont alignés et câblés correctement. Voir page 10.

La télécommande Homelink® de mon véhicule n'arrive pas à programmer mon ouvre-porte de garage :

Un adaptateur externe peut être nécessaire selon la marque et l'année-modèle de votre véhicule. Aller sur www.homelink.com pour de l'information supplémentaire.

L'ouvre-porte de garage peut émettre des bips :

L'ouvre-porte de garage peut émettre des bips pour plusieurs raisons:

- L'ouvre-porte de garage a été activé par un dispositif ou d'une fonctionne comme une minuterie de fermeture, un moniteur de porte de garage ou une passerelle internet LiftMaster.
- Fonctionnement sur l'alimentation de pile ou la pile continue doit être remplacée.

La télécommande de mon voisin ouvre ma porte de garage :

Effacer la mémoire de votre ouvre-porte de garage et reprogrammer la ou les télécommandes.

La porte est en mouvement sur une distance de 15 à 20 cm (6 à 8 po), puis s'arrête ou inverse sa course :

- Ouvrir et fermer manuellement la porte. Vérifier si un objet est collé ou obstrue la porte, comme un ressort ou une serrure brisé(e); corriger au besoin. Si la porte force ou colle, appeler un technicien formé en systèmes de porte.
- Possible défaillance du module de voyage.

Ma télécommande n'actionne pas la porte de garage :

Vérifier si la fonction de verrouillage n'est pas activée sur la commande de porte ou reprogrammer la télécommande.

La commande de porte ne fonctionne pas :

Les fils de la commande de porte sont court-circuités ou la commande de porte est défectueuse.

L'éclairage de l'ouvre-porte de garage ne s'éteint pas quand la porte est ouverte :

L'ouvre-porte de garage est doté d'une fonction qui allume l'éclairage lorsque les détecteurs inverseurs de sécurité sont obstrués ou que le détecteur de mouvement de la commande de porte détecte un mouvement dans le garage. Ces fonctions peuvent être désactivées à l'aide de la commande de porte.

Porte de garage grande pendant 1 à 2 secondes sans mouvement :

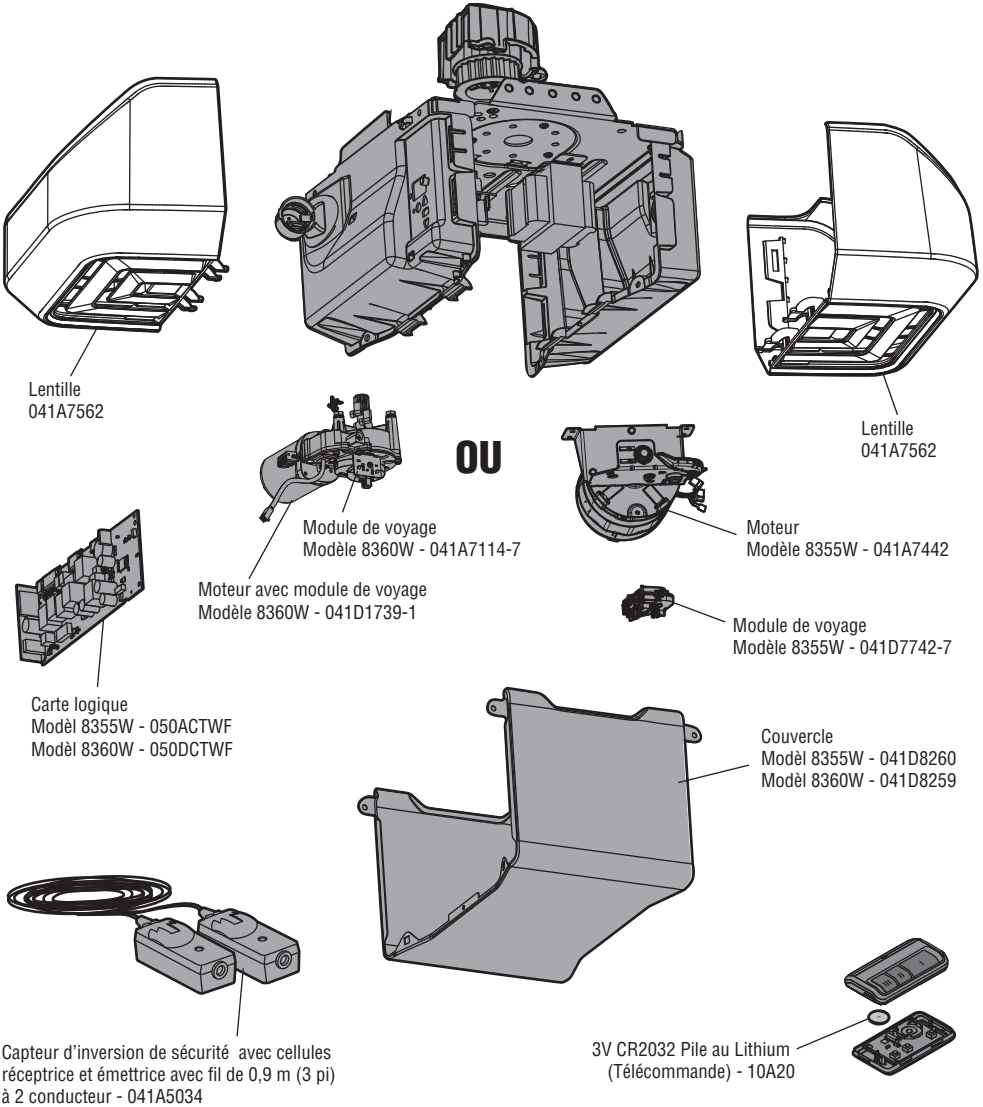
Ouvrir et fermer la porte de garage manuellement. Porte de garage peut être contraignant ou il peut y avoir une obstruction. Si la porte est contraignante, appelez un technicien de systèmes de porte formés.

L'ouvre-porte de garage ne se connecte pas au réseau Wi-Fi du domicile :

S'assurer que le numéro de série MyQ a été saisi correctement et essayer de nouveau. Les caractères MyQ se situent entre A et F et 0 à 9 uniquement.

Pièces de Rechange

Pour des pièces supplémentaires non illustrés, visitez LiftMaster.com/Customer-Support pour télécharger ou imprimer le manuel de l'utilisateur complet.



GARANTIE LIMITÉE LIFTMASTER®

LiftMaster (« le Vendeur ») garantit à l'acheteur au détail initial de ce produit pour la résidence dans laquelle ce produit est originalement installé, que ce dernier est exempt de tout défaut matériel ou de fabrication pour une période de temps précisée ci-dessous (la « Période de garantie »). La période de garantie commence à la date d'achat.

PÉRIODE DE GARANTIE					
	Pièces	Moteur	Accessoires	Courroie	Pile de secours*
8355W	1 an	À vie	1 an	À vie	-
8360W	1 an	À vie	1 an	-	1 an

Le bon fonctionnement de ce produit dépend de la conformité de l'utilisateur aux instructions relatives à l'installation, au fonctionnement, à l'entretien et aux tests. Tout défaut de se conformer strictement à ces instructions annulera la présente garantie limitée dans son intégralité.

Si, pendant la période de garantie limitée, ce produit semble présenter un défaut couvert par cette garantie limitée, prière d'appeler sans frais au 1-800-528-9131 avant de désassembler ce produit. Des instructions de démontage et d'expédition seront fournies lors de votre appel. Le produit ou la pièce doit ensuite être envoyé à notre centre de réparation sous garantie, conformément aux instructions reçues, frais d'affranchissement et d'assurance prépayés. Une brève description du problème et une preuve d'achat datée devront accompagner tout produit retourné pour une réparation sous garantie. Les produits retournés au vendeur pour une réparation couverte sous garantie qui, après réception par le vendeur, sont confirmés comme étant défectueux et couverts par la présente garantie limitée, seront réparés ou remplacés (à la discrétion du Vendeur) sans frais et retournés port payé. Les pièces défectueuses seront réparées ou remplacées par des pièces neuves ou réusinées, à la seule discrétion du Vendeur. [Les frais engagés pour le retrait et/ou la réinstallation du produit ou de tout composant incombent à l'acheteur].

TOUTE GARANTIE IMPLICITE POUR CE PRODUIT, Y COMPRIS, MAIS DE FAÇON NON LIMITATIVE, TOUTE GARANTIE IMPLICITE DE QUALITÉ MARCHANDE ET D'ADÉQUATION À UN USAGE PARTICULIER, SE LIMITE À LA DURÉE DE LA PÉRIODE DE GARANTIE LIMITÉE APPLICABLE STIPULÉE CI-DESSUS POUR LES COMPOSANTS CONCERNÉS; AUCUNE GARANTIE IMPLICITE N'EXISTERA OU NE S'APPLIQUERA APRÈS UNE TELLE PÉRIODE. Certains États et provinces ne permettent pas les limitations de la durée des garanties implicites, auquel cas la limitation précitée pourrait ne pas s'appliquer à l'Acheteur. **LA PRÉSENTE GARANTIE LIMITÉE NE COUVRE PAS LES DOMMAGES QUI NE SONT PAS DUS À UN DÉFAUT, CEUX CAUSÉS PAR UNE MAUVAISE INSTALLATION, UNE OPÉRATION OU UN ENTRETIEN INADÉQUATS (INCLUANT, NOTAMMENT, LES AVARIES DUES À UN MAUVAIS TRAITEMENT, UN USAGE INAPPROPRIÉ, L'ABSENCE D'ENTRETIEN RAISONNABLE ET NÉCESSAIRE, LES RÉPARATIONS NON AUTORISÉES OU TOUTE MODIFICATION À CE PRODUIT), LES FRAIS DE MAIN-D'ŒUVRE POUR LA RÉINSTALLATION D'UNE UNITÉ RÉPARÉE OU REMPLACÉE OU LE REMPLACEMENT DES CONSOMMABLES (P. EX. LES PILES D'ÉMETTEURS À TÉLÉCOMMANDE ET AMPOULES DE LAMPE) OU LES UNITÉS INSTALLÉES À USAGE NON RÉSIDENTIEL. LA PRÉSENTE GARANTIE LIMITÉE NE COUVRE PAS LES PROBLÈMES RELATIFS OU CONNEXES À LA PORTE DU GARAGE OU À LA QUINCAILLERIE DE LA PORTE DU GARAGE, NOTAMMENT LES RESSORTS DE LA PORTE, LES GALETS DE PORTE, L'ALIGNEMENT DE LA PORTE OU LES CHARNIÈRES. LA PRÉSENTE GARANTIE LIMITÉE NE COUVRE PAS NON PLUS LES PROBLÈMES CAUSÉS PAR LES INTERFÉRENCES. LE VENDEUR NE SERA EN AUCUN CAS TENU RESPONSABLE DES DOMMAGES-INTÉRÊTS PARTICULIERS OU INDIRECTS RÉSULTANT DE L'UTILISATION OU DE L'INAPTITUDE À UTILISER CE PRODUIT CORRECTEMENT. EN AUCUN CAS, LA RESPONSABILITÉ DU VENDEUR POUR BRIS DE GARANTIE, RUPTURE DE CONTRAT, NÉGLIGENCE OU RESPONSABILITÉ STRICTE N'EXCÉDERA LE COÛT DU PRODUIT COUVERT AUX PRÉSENTES. NUL N'EST AUTORISÉ À ASSUMER POUR NOUS D'AUTRES RESPONSABILITÉS RELATIVEMENT À LA VENTE DE CE PRODUIT.**

Certains États et provinces n'acceptant pas l'exclusion ou les restrictions relatives aux dommages spéciaux ou indirects, les restrictions ou exclusions figurant dans la présente garantie pourraient ne pas s'appliquer à l'Acheteur. Certains droits légaux particuliers sont conférés à l'Acheteur en vertu de cette garantie et celui-ci pourrait avoir d'autres droits qui varient selon l'État ou la province dans lequel ou laquelle réside l'Acheteur.

* S'il y a lieu.