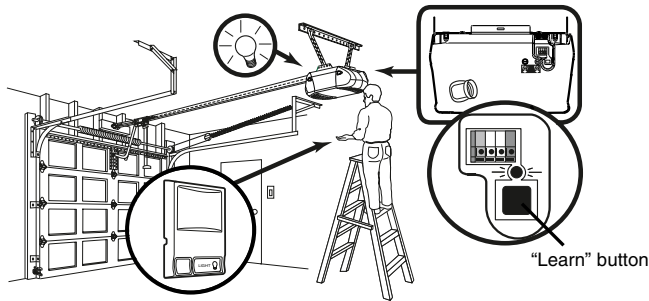


LiftMaster®

PROFESSIONAL

Only for use with 315MHz Security+® garage door openers and universal receivers that have a purple "learn" button.

Instructions are Described and Illustrated Below



To Program The Large Push Button or Auxiliary Button To A Garage Door Opener

You can use the wireless control panel to control up to two separate garage door openers. Select large push button for the primary opener and use the auxiliary button for the secondary opener.

1. Press and release the "Learn" button on the motor unit. The learn indicator light will glow steadily for 30 seconds.
2. Within 30 seconds, press and hold either the large push button or auxiliary button on the wireless control panel.
3. Release the button when the motor unit light blinks. It has learned the code. If light bulbs are not installed, two clicks will be heard.



To Erase All Codes From Motor Unit Memory

To deactivate any unwanted remote, first erase all codes:

Press and hold the "Learn" button on motor unit until the learn indicator light goes out (approximately 6 seconds). All previous codes are now erased. Reprogram each remote or keyless entry you wish to use.



To Control the Opener Lights

NOTE: Feature not available with universal receiver.

With 315MHz Security+® wireless control panel, the Light button can be programmed to operate the opener lights without opening the door. A wired multi-function control panel is required to program the Light button on the wireless control panel.

1. *With the door closed*, press and hold the Light button on the wireless control panel.
2. Press and hold the Light button on the multi-function control panel.
3. Press and hold the Lock button on the multi-function control panel.
4. After the opener lights flash, release all buttons.

Test by pressing the Light button on the wireless control panel. The opener lights should turn on or off but the door should not move.

Models 378LM and 378LMC 315MHz Security+® Wireless Control Panel

OWNER'S MANUAL

⚠ WARNING

To prevent possible SERIOUS INJURY or DEATH from a moving gate or garage door:

- Install door control within sight of garage door, out of reach of children at a minimum height of 5' (1.5 m), and away from all moving parts of door.
- NEVER permit children to operate or play with door control push buttons or remote control transmitters
- Activate door ONLY when it can be seen clearly, is properly adjusted and there are no obstructions to door travel.
- ALWAYS keep garage door in sight until completely closed. NEVER permit anyone to cross path of closing garage door.

Installation

NOTE: Locate the door control within sight of the door at a minimum height of 5' (1.5 m) where small children cannot reach and away from all moving parts of the door and door hardware.

Remove the push button cover by gently prying off the top edge with a screwdriver. Fasten with 6ABx1-1/4" self-tapping screws as follows:

- Drill pilot holes and install bottom screw, allowing 1/8" (3 mm) to protrude above the wall surface.
- Position bottom of door control on screw head and slide down to secure. Adjust screw for snug fit.
- Install top screw. DO NOT overtighten, you may damage the plastic housing.

The Wireless Control Panel Batteries

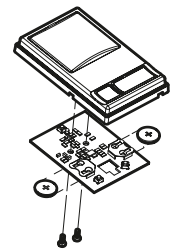
⚠ WARNING

To prevent possible SERIOUS INJURY or DEATH:

- NEVER allow small children near batteries.
- If battery is swallowed, immediately notify doctor.

The lithium batteries should produce power for up to 5 years. To replace the batteries, remove the two screws and the logic board from the plastic housing, as shown. Insert new batteries *positive side up (+)*.

Dispose of old batteries properly.



NOTICE: To comply with FCC and or Industry Canada (IC) rules, adjustment or modifications of this receiver and/or transmitter are prohibited, except for changing the code setting or replacing the battery. THERE ARE NO OTHER USER SERVICEABLE PARTS.

Tested to Comply with FCC Standards FOR HOME OR OFFICE USE. Operation is subject to the following two conditions: (1) this device may not cause harmful interference, and (2) this device must accept any interference received, including interference that may cause undesired operation.

Replacement Parts

3V2032 Lithium battery:10A20

FOR SERVICE DIAL OUR TOLL FREE NUMBER:

US: 1-800-528-2817

CANADA: 1-800-654-4736